



Centerpiece[™] Roman Shades

PROGRAM REFERENCE GUIDE



Date	Summary of Revisions
5/25/2026	<ul style="list-style-type: none"> ● Pg. 5~6, 16, 22-23: Updated Bracket to Spring Loaded Bracket. ● Pg. 23: Removed shim option for Outside Mount Day & Night Shade.
5/11/2026	<ul style="list-style-type: none"> ● Pg. 29: Updated fabric code for Roman Fabric: Earth from Windsor Collection. ● Pg. 48: Discontinued AA0320 F1068 Graphite Gray from Solids collection.
4/10/2026	<ul style="list-style-type: none"> ● Added lining composition. ● Discontinued AA0901 F1050 Pewter 8027 & AA0902 F1055 Flax 0024 from Libeco Belgian Linen collection.
3/1/2026	<ul style="list-style-type: none"> ● Added new colors for Ribbon Banded and Edge Banded shades. ● Launched new Roman fabrics.
2/1/2026	<ul style="list-style-type: none"> ● Added valance with wrapped returns for outside mount. ● Fabric price schedule reassignments for select fabrics. ● Discontinued AA0902 F1054 Oyster 0021 from Libeco Belgian Linen collection & AA0307 F0237 Silver Sage from Seabreeze collection.
1/1/2026	<ul style="list-style-type: none"> ● Relaunched Roman Day & Night Roller Fabric: Creamy. ● Discontinued AA0901 F1052 Silver 8045 from Belgian Linen collection.
11/17/2025	<ul style="list-style-type: none"> ● Discontinued AB0203 Old Gold from collection Ella.
10/15/2025	<ul style="list-style-type: none"> ● Updated fabric width for Roman Fabric Latte & Stone Gray ; Roman Day & Night Roller Fabrics: Mahogany, Cove& Silhouette.
10/1/2025	<ul style="list-style-type: none"> ● Launched new Roller fabric for Roman Day & Night.
9/15/2025	<ul style="list-style-type: none"> ● Updated fold count chart and note. ● Updated wrapped valance return and note for side by side gap requirement for pleated returns. ● Added disclaimers for natural fabrics.
8/15/2025	<ul style="list-style-type: none"> ● Launched new Roman fabrics. ● Added Francis for Ribbon Banded and Edge Banded shades. ● Added note for headrail ends for shades without valance returns . ● Updated fabric code for Roman Fabric: Pearl White, Neutral Gray, Smoke &Tarmac from Collection Windsor; Egret from Collection Seabreeze, Warm White from Collection Caroline and Taupe& Linen White from Collection Solids.
8/1/2025	<ul style="list-style-type: none"> ● Updated fabric width for Roman Day & Night Roller Fabrics: Birch from Collection Hayes.
7/14/2025	<ul style="list-style-type: none"> ● Updated fabric width for Roman Day & Night Roller Fabrics: Moonscape from Collection Hayes; Chocolate/Cream from collection Fiji.
7/1/2025	<ul style="list-style-type: none"> ● Updated fabric width for Roman Day & Night Roller Fabrics: Valerie/ Hayes/ Fiji/ Bermuda.
5/28/2025	<ul style="list-style-type: none"> ● Relaunched Roman Day & Night shade. ● Roller fabrics (refer to appendix).
5/15/2025	<ul style="list-style-type: none"> ● Relaunched Edge Banded Option. ● Relaunched Roman fabrics.
5/7/2025	<ul style="list-style-type: none"> ● Added collection name for sheer fabrics. ● Revised fabric list chart.



Table of Contents

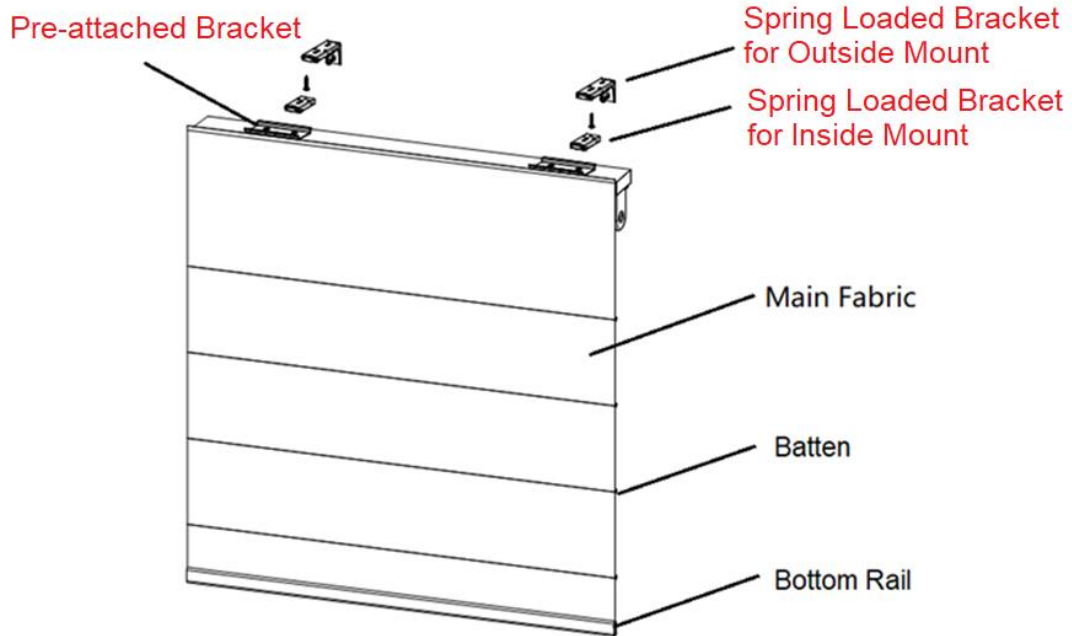
	Page
Features & Benefits	<u>4</u>
General Specs	
Lift Systems & Terminology	<u>5 – 6</u>
Shade Styles, Shade Banding & Lining Options	<u>7 – 11</u>
Railroading & Seaming	<u>12</u>
Size Considerations (Min/Max)	<u>13</u>
General Specifications	<u>14 – 15</u>
Mounting Depth Requirements	<u>16</u>
Options	
Roman Day & Night Shades	<u>17</u>
Valance & Valance Return Options	<u>18 – 20</u>
Side by Side Shades	<u>21</u>
Hardware & Accessories	<u>22 – 23</u>
Available Fabrics	
Roman Shade Fabric List	<u>24 – 33</u>
Roman Day & Night – Rear Roller Shade Fabric List	<u>34 – 41</u>
Fabric Information & Additional Options	<u>42 – 45</u>
Decorative Pillow Covers	<u>46</u>
Product Care	<u>47</u>
Appendix	<u>48 – 49</u>

Features & Benefits

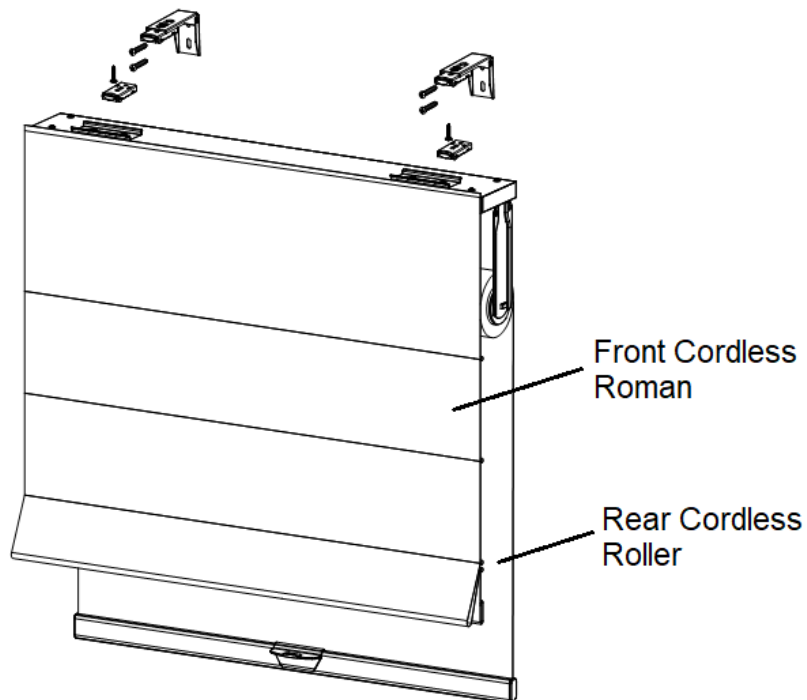
- Customize your view with quality, innovation and versatility that makes it a true icon of style.
- A world of fabrics: Handcrafted from the finest quality fabrics, previously available only through custom draperies, from muted grays, pastels and earth tones, to the luminousness of luxury silk, to the latest in heritage-inspired embroidery and weaves.
- Luxury fold options: Choose Flat Fold or a polished look rooted in simplicity, so perfect it harmonizes with virtually any décor. Or choose Soft Fold featuring a distinctive tear drop contour that adds fullness.
- Light Control: Choose from Translucent or Blackout Lining with any fabric for optimal light and privacy control
- Better insulation: The unique system comes with additional lining, working as an extra layer of insulation for your window.
- Various lift systems: Cordless, Continuous Cord Loop, SmartRelease™ and Motorization
- AeroLite™ Cordless Lift System
 - Patented Technology: AeroLite™ cordless lift system enables easy raising and lowering of the shade with ultra-premium cordless control. When raising and lowering, the lift system delivers a smooth experience that's also quieter and more dependable.
 - Easy and intuitive control: To lower, gently pull the concealed shade handle downward to lock it into place. To raise gently pull the handle downward and let the shade rise automatically to the desired position and lock.
 - Convenient and safe: The cord- free design eliminates unsafe and unsightly cords to ensure optimum child and pet safety.

Lift Systems

AeroLite™ Cordless



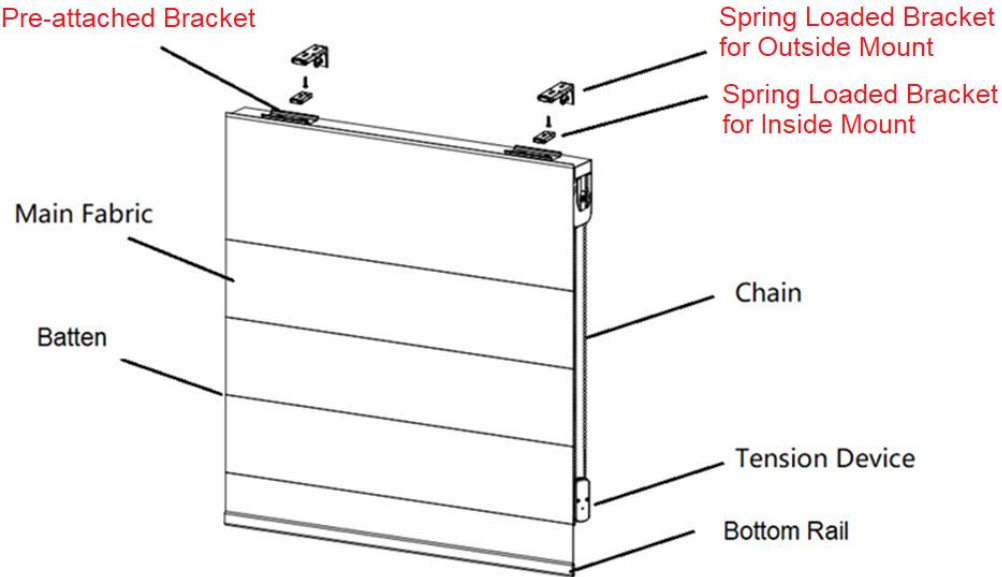
Cordless Day & Night



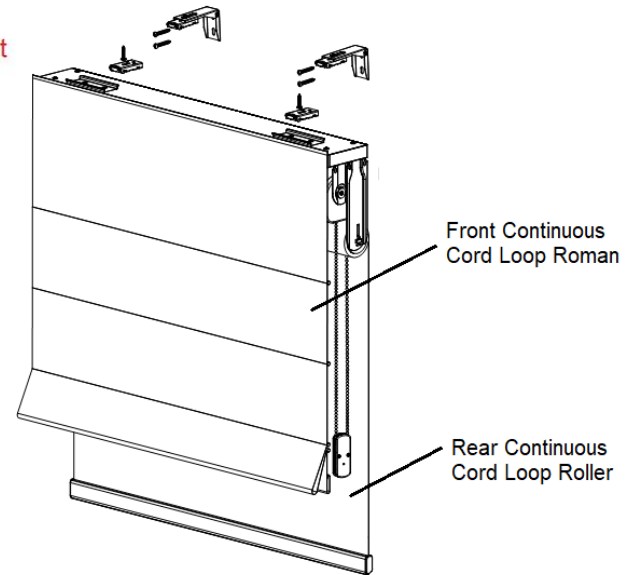
Centerpiece™ Roman Shades

Lift Systems

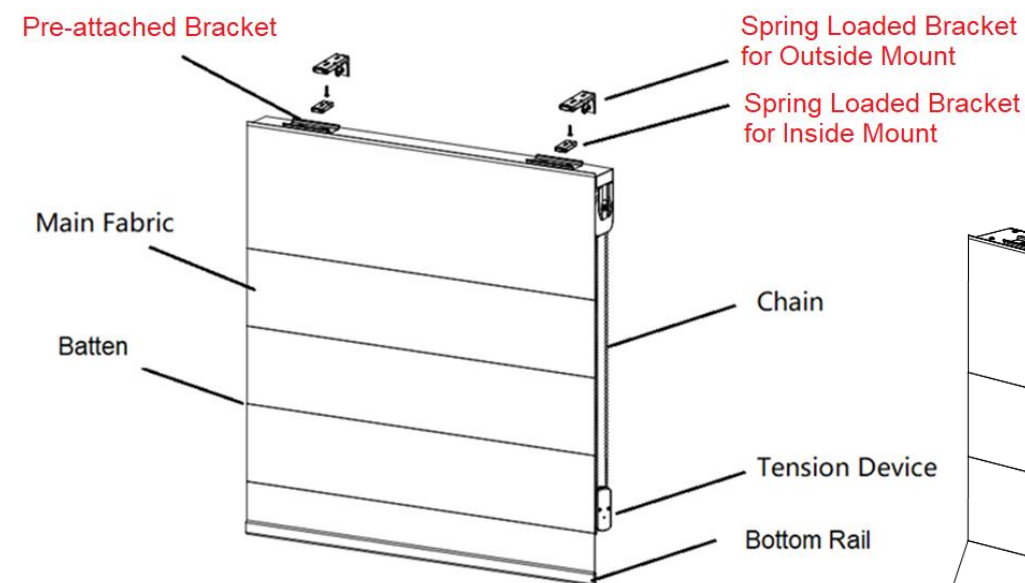
Continuous Cord Loop



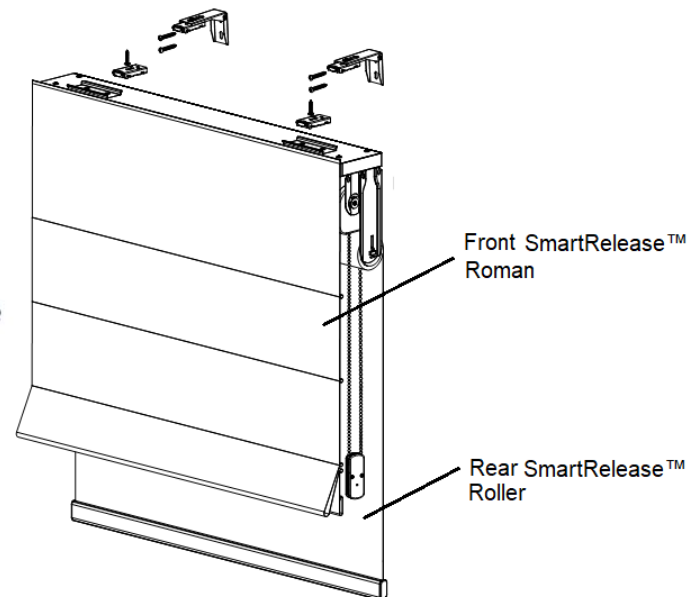
Continuous Cord Loop Day & Night



SmartRelease™



SmartRelease™ Day & Night



Shade Styles & Banding Options

Shade Styles



Flat Fold without Seams

- Slight light leakage may be seen through pin holes for select fabrics.
- Not available in the Rochelle, Bali, Scarlett, Bora Bora, Caroline AB0608, Catalina, Java, Riviera, Sumatra & Phuket collections
- Not available for railroading
*Exception: AC0401 Sheer Elegance fabric collection



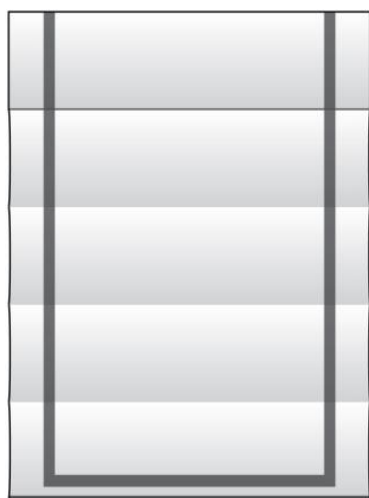
Flat Fold with Batten Back



Soft Fold

- Not available in Sheer fabrics (Sheer Elegance & Scarlett), Lakeside, Bali, Bora Bora, Caroline AB0608, Catalina, Java, Riviera, Sumatra & Phuket collections

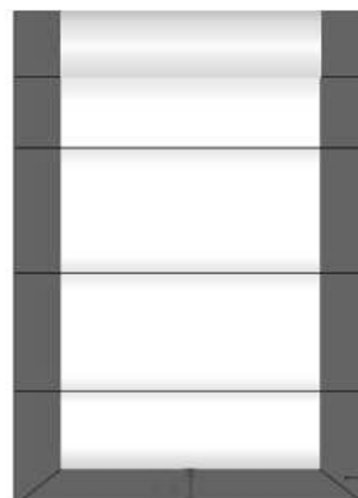
Shade Banding Options, Flat Fold with Batten Back



Ribbon Banded

Flat Fold with Batten Back

- Available in select fabrics only
- Available in all lift systems
- Not available in Day & Night applications



Edge Banded

Flat Fold with Batten Back

- Available in select fabrics only
- Available in all lift systems
- Not available in Day & Night applications

Shade Styles & Banding Options

Ribbon Banded

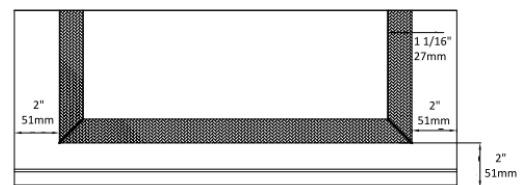
- Available in all lift systems, except for Day & Night applications.
- Only available in Flat Fold with Batten Back
- Not available in Soft Fold and Flat Fold without Seams
- Not available with Common Valance
- 1 1/16" ribbon decorative tape along the edges at 2"
- **Only available in following fabrics:**

Available Ribbon Banded Roman Fabrics

Fabric	Color Code	Color Name
Taylor	F0210	Corn Silk White
Ella	F0178	Java
Alma	F1621	Dusk Blue
	F1622	Coronet Blue
	F1623	Dark Shadow
	F1624	Paloma
	F1625	Cloudburst
	F1626	Whitecap Gray
	F1627	Doeskin
	F1628	Whisper White
	F1629	Chalk White
	F1631	Plum
Francis	F1932	Oatmeal
	F1933	Black
	F1904	White
	F1905	Weathered White
	F1906	Broken White
	F1907	Soft Sandstone
	F1908	Desert Beige
	F1909	Rich Truffle
	F1984	Soft Gray
	F1985	Cloudy Gray
	F1986	Natural Beige
	F1987	Warm Mocha
	F1988	Graphite
	F1989	Stone Gray
	F1990	Soothing Gray
	F1991	Gentle Ash

Ribbon Decorative Tape Colors

Color Code	Color Name
T001	White
T002	Ivory
T169	Grey Beige
T201	Black
T402	Light Cocoa
T5124	Dusty Grey



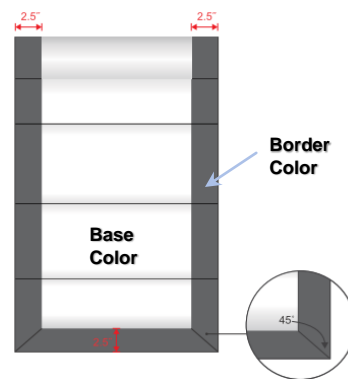
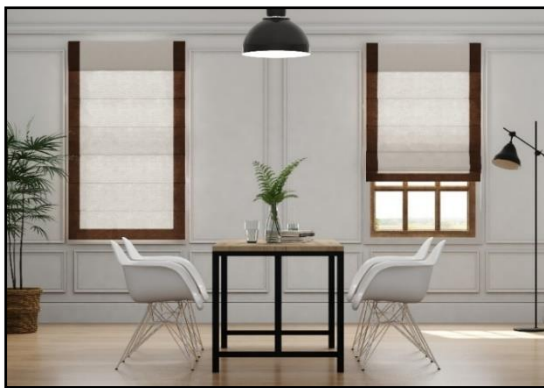
Shade Styles & Banding Options

Edge Banded

- Available in all lift system, except for Day & Night applications.
- Only available in Flat Fold with Batten Back
- Not available in Soft Fold and Flat Fold without Seams
- Not available with Common Valance
- Border size: 2.5"
- **Only available in the Lakeside, Alma and Francis collections**
 - Base colors and Border colors must both be selected from the same collection but in different colors from each other.

Available Edge Banded Roman Fabrics

Collection One: Lakeside Base Color and Border Colors		Collection Two: Alma Base Color and Border Colors		Collection Three: Francis Base Color and Border Colors	
Color Code	Color Name	Color Code	Color Name	Color Code	Color Name
F0183	Milk	F1621	Dusk Blue	F1932	Oatmeal
F0184	Warm White	F1622	Coronet Blue	F1933	Black
F0185	Pebble	F1623	Dark Shadow	F1904	White
F0186	Rich Gold	F1624	Paloma	F1905	Weathered White
F0187	Steel Gray	F1625	Cloudburst	F1906	Broken White
F0188	Chocolate Brown	F1626	Whitecap Gray	F1907	Soft Sandstone
F0189	Loden Green	F1627	Doeskin	F1908	Desert Beige
F0190	Deep Ocean	F1628	Whisper White	F1909	Rich Truffle
F0191	Claret	F1629	Chalk White	F1984	Soft Gray
F0192	Jet Black	F1631	Plum	F1985	Cloudy Gray
				F1986	Natural Beige
				F1987	Warm Mocha
				F1988	Graphite
				F1989	Stone Gray
				F1990	Soothing Gray
				F1991	Gentle Ash



Shade Styles & Banding Options

Lining Options

All shades must be lined to achieve the desired custom finished look. The two lining options are both white in color with the following transparency options:

- Blackout
- Translucent



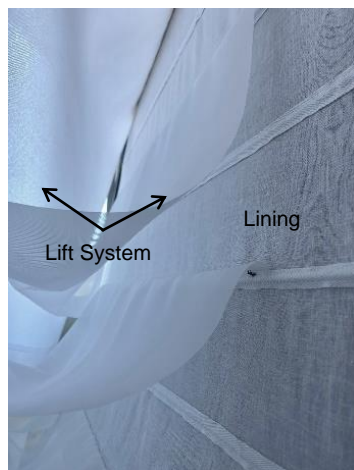
Translucent



Blackout

Lift System

- Please note there is a difference between the lining fabric and Norman®'s innovative lift system fabric. The lining is sewn directly to the back of the shade fabric while the lift system is the outermost fabric that is attached periodically to the lining to lift the shade onto the accompanying roller. This unique lift system eliminates the need for cords, shrouds, rings or grommets providing a cleaner appearance while being inherently child and pet safe.
- The lift system will connect to every other batten.



Shade Styles & Banding Options

Lining Composition

Fabric	Composition	
	Translucent lining	Blackout lining
Belgian Linen	80% Polyester 20% Cotton	80% Polyester 20% Cotton
Alma		
Blake		
Caroline AA0206, AA0206-A		
Ella AB0203		
Lakeside		
Lorraine AA0201, AB0103		
Patterns		
Rochelle		
Sheer Elegance AC0401, AC0402		
Solids AA0802-A		
Valencia		
Breeze		
Francis		
Scarlet		
Sierra		
Bali	68% Polyester +32% Polyurethane	
Bora Bora		
Caroline AB0608		
Catalina		
Java		
Lorraine AB0204		
Phuket		
Riviera		
Seabreeze		
Solids AA0319, AB0320		
Sumatra		
Taylor		
Windsor	100% Polyester	
Ellie		
Ashley	50% Cotton, 50% Polyester	85% Polyester, 15% TPU
Impressions		
Louise		
Sheer Elegance AB0665		
Whispering Willow		

Railroading & Seaming

Please refer to the [fabric list](#) for railroad and seaming availability by the fabric.

Railroading

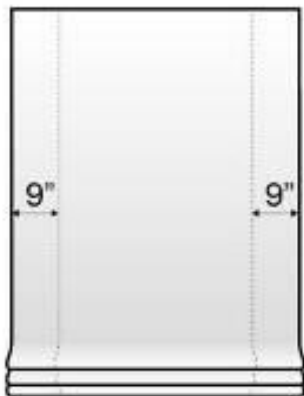
Some fabrics can be turned 90° clockwise (width for height) to accommodate wider windows. Once railroaded, the shade will be horizontally seamed to reach the desired ordered height. Horizontal seams are not as visible as they are made at the battens of a Flat Fold with Batten Back shade and at the sewing lines of a Soft Fold shade.

Exceptions:

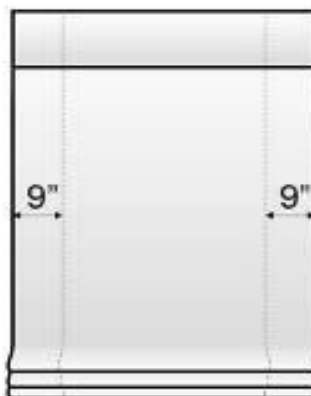
1. Railroading is limited to Flat Fold with Batten Back and Soft Fold only.
2. Horizontal seaming is not available for Black Gingham F0031 in the Lorraine AB0103 collection. Special max shade height for this fabric can be found on the Size Considerations page.
3. Orientation Standard for AC0401 (Sheer Elegance collection): For this fabric only, the railroad orientation will be the Standard. Non-railroaded orientation is still available as an option. With this standard, both orientations are available in Flat Fold with Batten Back and Flat Fold without Seams.

Seaming (Vertical)

- When railroading is not available in select fabrics, vertical fabric panels will be joined together to reach the ordered width.
- The fabric panels on either ends will be a minimum of 9" in width, with the center panel varying in width based on the ordered width. This includes the valance, if a valance is specified.

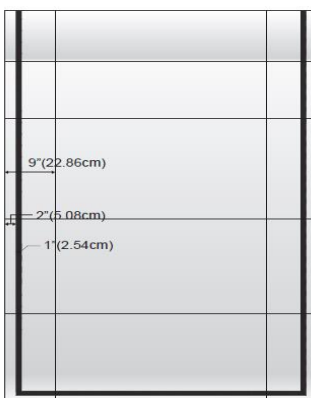


Shade with seams, no valance



Shade with seams with valance

- Note: For fabric AB0203 Ella when Ribbon Banded, shade widths above 55" will be seamed due to the fabric width limitation. The side panels will be 9" on each side, with the center panel varying in width. The ribbon will run 2" along the edges, which will be on the added 9" seam panels.



Centerpiece™ Roman Shades

Size Considerations (Min/Max)

Lift System	Finished Size				Max Area
	Width		Length		
	Min	Max	Min	Max	
AeroLite™ Cordless	20"	96"	24"	96"	40 FT ²
Continuous Cord Loop	12"	50" for 1½" headrail * 96" for 2" headrail *	24"	96"	33 FT ² for 1½" headrail * 64 FT ² for 2" headrail *
SmartRelease™	12"	96"	24"	96"	52 FT ²
Cordless Day & Night	20"	96"	24"	96"	40 FT ²
Continuous Cord Loop Day & Night	12"	96"	24"	96"	64 FT ²
SmartRelease™ Day & Night	12"	96"	24"	96"	52 FT ²

- For motorization size considerations, see dedicated motorization specifications.
- All shades must meet the max area limitations.
- Day & Night shades cannot exceed length to width ratio of 3:1, due to telescoping.
- Headrail size:
 - * For widths over 50", the 2" headrail will be used.
 - For side by side windows, all shades would be considered large. Therefore, the 2" headrail will be used on all shades.
- Railroading & Seaming:
 - See the complete [fabric list](#) for max fabric width and railroad & seam availability by the fabric.
 - If no Vertical Seams are desired, please refer to the following shade width limitations.

Max shade width <u>without</u> seams	AeroLite™ Cordless	Cordless Day/Night	Continuous Cord Loop, Continuous Cord Loop Day & Night, SmartRelease™, SmartRelease™ Day & Night, Motorized, Motorized Day & Night
Flat Fold without Seams	Fabric width – 8 3/8"	Fabric width – 9 1/8"	Fabric width – 5 3/4"
Flat Fold with Batten Back (Sheer fabrics only)	Fabric width – 3 1/2"		
Flat Fold with Batten Back	Fabric width – 1 15/16"		
Soft Fold	Fabric width – 2 7/16"		

- Bali collection is only available for flat fold with batten back and cannot be railroaded or seamed, so max shade width = Fabric width – 1 15/16".
- When railroaded, F0031 Black Gingham in the Lorraine collection cannot be seamed horizontally and will be limited to the following max heights.

Fabric Exception	Shade Style	Max Shade Height after Railroaded
F0031 Black Gingham, Lorraine AB0103	Flat Fold with Batten Back	36"
	Soft Fold	26"



General Specifications

Size Definition & Deductions

- Finished Shade Size
 - IB: Ordered Width - 3/8"
 - OB: Ordered Width
- Shade allowance: Width = +/- 1/4"; Length = 0" to + 1/2"
- IB deduction for shades under a common valance:
 - Shade width = order width - 3/16" for each shade

Estimated Fabric Stack Heights & Fold Count

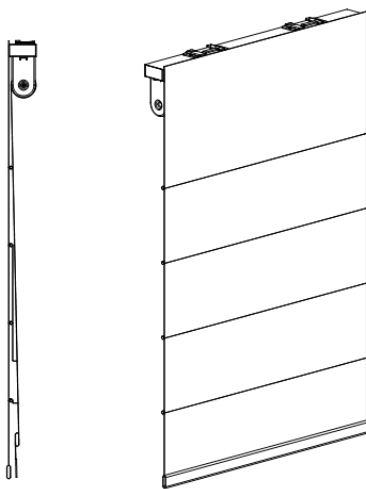
Flat Fold		Soft Fold	
Shade Height	Stack Height	Shade Height	Stack Height
24" to 32 5/16"	10.7"	24" to 28 7/8"	9"
32 3/8" to 44 5/16"	13.1"	29" to 44 7/8"	10.4"
44 3/8" to 70 5/16"	14.9"	45" to 64 7/8"	11.7"
70 3/8" to 102"	16.8"	65" to 102"	13.2"

Shade Style	Shade Height	# of Folds when fully raised	# of Panel when fully lowered
Flat Fold	Up to 58 1/4"	2.5	5
	58 3/8" to 92 1/4"	3.5	7
	92 3/8" to 102"	4.5	9
Soft Fold	Up to 36 7/8"	3.5	7
	37" to 54 7/8"	4.5	9
	55" to 76 7/8"	5.5	11
	77" to 88 7/8"	6.5	13
	89" to 100 7/8"	7.5	15
	101" to 102"	8.5	17

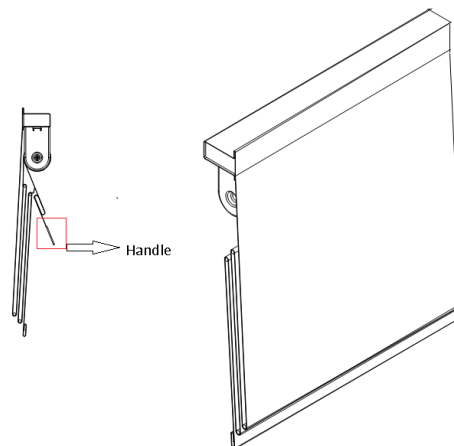
Notes:

- All specifications are for reference only, and final products are subject to actual factory production.
- The fold count will differ when the shade is operated from fully lowered to fully raised.
- The above information is an estimate for reference only. The actual stack height may vary slightly.
- The max. shade drop is 102" for Motorized Roman shades; and 96" for all other systems.

Unfolded Shade



Completely Folded Shade



General Specifications

Continuous Cord Loop & SmartRelease™ Chain

- Chain Lengths:
 - Chain length is measured from the top of the headrail to the bottom of the tension device.
 - Chain length tolerance: 0 ~ +1 9/16"

Chain Length	Order Height (Y)	Continuous Cord Loop Length (Y2)		SmartRelease™ Chain Length (Y2)	
		Plastic Chain/Stainless Steel		Plastic Chain/Stainless Steel	
Default Length	All order heights	Y - 3"		Y - 3"	
Custom Length	All order heights	IM	OM	IM	OM
		Not Available	Custom Length (OM): Y - 3" ≤ Y2 ≤ 130" Min: Y - 3" Max: 130"	Custom Length (IM): 12" ≤ Y2 ≤ Y-2" Min: 12" Max: Order Height - 2"	Custom Length (OM): 12" ≤ Y2 ≤ 130" Min: 12" Max: 130"

- Chain Options:
 - Standard:** Plastic Chain Colors: White, Cottage White, Black
 - Optional:** Stainless Steel
- Color Coordination for Continuous Cord Loop and SmartRelease™ :

	Chain Type	Bead Chain Color	Clutch	Tension Device (SmartRelease™)	Tension Device (CCL)
Default	Plastic	White	Matches chain color	Matches chain color	Matches chain color
Optional	Plastic	Cottage White	Matches chain color	Matches chain color	Matches chain color
	Plastic	Black	Matches chain color	Matches chain color	Matches chain color
	Stainless Steel	Stainless Steel	White	White	White

Control Location

	Single Shade	Common Valance
Default	Right	Right Shade: R Left Shade: L
Optional	Left	N/A

	Day & Night	
	Front Shade	Back Shade
Default	Right	Left
Optional	Left	Right

Centerpiece™ Roman Shades

Mounting Depth Illustrations

System	Mount Type	Min. Mounting Depth		
Cordless	Semi-IB	1 3/4"		
Continuous Cord Loop with 1 1/2" headrail	Flush IB	2 1/8"		
Continuous Cord Loop with 2" headrail	Semi-IB	2 1/8"		
SmartRelease™	Flush IB	2 5/8"		
Motorized	Semi-IB (For Autowand)	2" 1 5/8"		
	Flush IB (For Autowand)	2 1/2" 2 1/8"		
Cordless Day & Night	Semi-IB	3 5/8" 3 5/8"		
Motorized Day & Night				
Continuous Cord Loop Day & Night	Flush IB	4 1/8" 4 1/8"		
SmartRelease™ Day & Night				

Day & Night Shades

- Available in all lift systems: Cordless, Motorization, Continuous Cord Loop and SmartRelease™
- Fabric options:
 - Front shade: select any current fabric from the Roman Shade Fabric Collection
 - Rear shade: select any current Soluna™ Roller shade fabric collection, except for the following:
 - Not available in NA400 (1%), Aruba, Bali, Bahamas, Cove, Maui Natural and Samoa fabric collections

[See complete roller fabric availability](#)

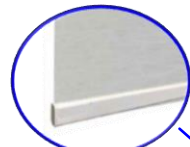


Hem Bar Options (For Rear Roller Shades):

Choose from a Plain bottom rail (Standard), or a Fabric-Wrapped bottom rail (Optional).



Plain Hem Bar



Back of the hem bar is not fabric-wrapped.

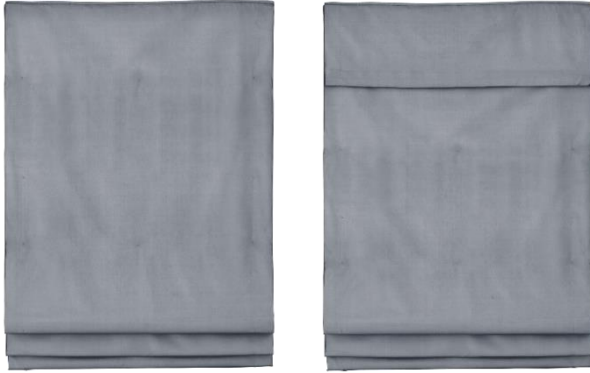


Fabric-wrapped Hem Bar

Valance & Valance Return Options

- No Valance (Standard)
- Valance (Optional)

(Flat Fold)



No Valance

Valance

(Soft Fold)



No Valance

Valance*




Valance Height:





- **Flat fold styles:** varies depending on the shade height (see chart)
- ***Soft fold style:** standard height; same height as the first fold

Shade Height	Valance Height
24" to 36"	6" to 7.6"
36 1/8" to 48"	6.8" to 8"
48 1/8" to 60"	7.7" to 8.6"
60 1/8" to 73"	8.2" to 9.3"
73 1/8" to 88"	8.7" to 9.8"
88 1/8" to 102"	8.7" to 9.6"

Note: Applies to Flat Fold only

Valance & Valance Return Options

IM			
No Valance		With Valance	
Default		Optional	
No Returns	Wrapped returns	No Returns	
			

OM			
No Valance		With Valance	
Default	Optional	Optional	
No Returns	Wrapped returns	Wrapped returns	Pleated returns
			

- Collection Bali, Scarlett, Breeze, Sierra, Bora Bora, Caroline AB0608, Catalina, Java, Riviera, Sumatra & Phuket are not available for valance with pleated returns.

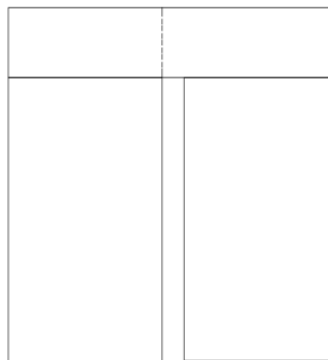
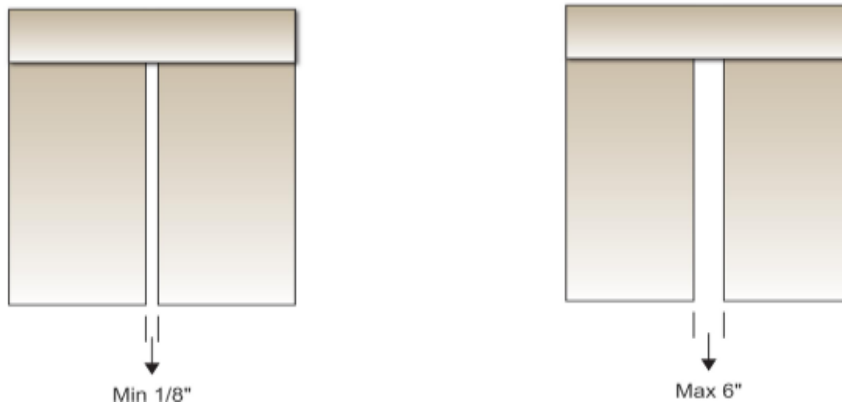
- For select fabrics, the naturally structured fibers can result in an uneven or less refined appearance if the headrail ends are wrapped on shades without valance returns. For this reason, for these fabrics — Bali, Phuket, Bora Bora, Sumatra, Caroline AB0608, Java, Riviera, and Catalina — the headrail ends will not be wrapped when valance returns are not specified.



Valance & Valance Return Options

Common Valance

- 2 headrails under a shared valance
- Both shades must have the same height and use the same lift system (including same motor type/power source).
- Minimum gap of 1/8" between shades. A maximum gap of 6" can be requested.
- Overall max width: 144"
- For Single shades only; Not available with Day & Night Shades
- Not available for shades with banding options (Ribbon Banding and Edge Banding)
- Not available for fabric collection Bali, Scarlett, Bora Bora, Caroline AB0608, Catalina, Java, Riviera, Sumatra & Phuket



Seamed Valance

Note: When the valance width exceeds the fabric width, the valance will be seamed along the edge of the left shade.

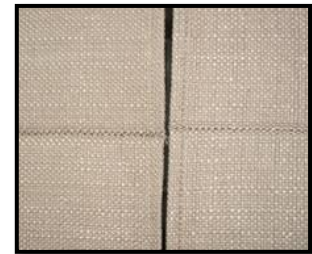
Side By Side Roman Shades

Side by Side shades will match the batten seams, starting from the top of the shades and continuing down to the bottom of the shortest shade within the order. Must be ordered at the same time, and the following criteria must be identical in:

- **Room**
 - **Lift system**
 - **For motorization only: Motor type/power source**
 - **Mount type**
 - **Shade style**
 - **Fabric color**
 - **Fabric lining option**
 - **Fabric cut: Railroad or non-railroaded**
 - **Fabric orientation (AC0401 fabric only)**
 - **Valance type & valance return type**
- For Soft Fold and Flat Fold with Batten Back in Single Shades only
 - Side by Side seam alignment will be within a 1/8" tolerance
 - Battens are not guaranteed to align without Side by Side is selected

Side by Side Exclusions:

- Not available for Flat Fold without Seams shade style, Day & Night shades, Common Valance shades, or Ribbon Banded shades and Edge Banded shades

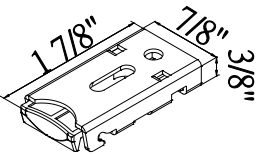
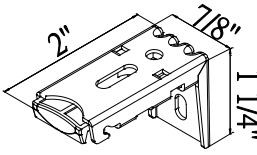
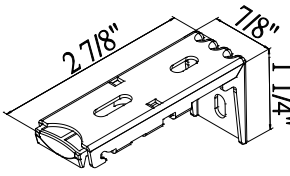
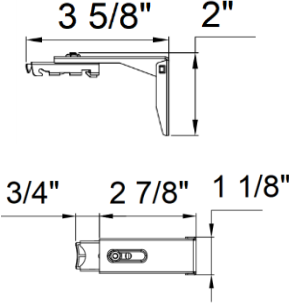
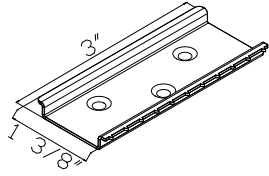


*Example: If multiple shades as a side by side have different order heights, the battens will align up to the end of the shortest shade. Subsequently, the remaining length on the longer shades would be adjusted within the last 1-2 panels. This means when the shades are fully raised, fabric stacks may appear slightly different.

Centerpiece™ Roman Shades

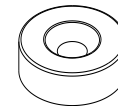
Hardware & Accessories

Bracket Dimensions

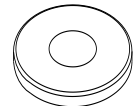
Spring Loaded Bracket (Inside Mount)	Spring Loaded Bracket (Outside Mount)	Spring Loaded Bracket (Outside Mount, for Continuous Cord Loop with 2" headrail & SmartRelease™)	Spring Loaded Bracket (Outside Mount, for Day & Night)	Pre-attached Bracket (Inside Mount & Outside Mount)
				

Magnetic Hold-Down

- Available for OM shades
- The magnet catch, which needs to be installed at the job site, can be found in the hardware box.
- For Single/ Common Valance / Side by Side Roman Shades (left), the magnet will be pre-installed at the factory on the bottom backside of the shade.
- For Day & Night Roman Shades (right), the magnet will be pre-installed at the factory on the back of the hem bar of the back roller shade.
- Not recommended for metal door applications



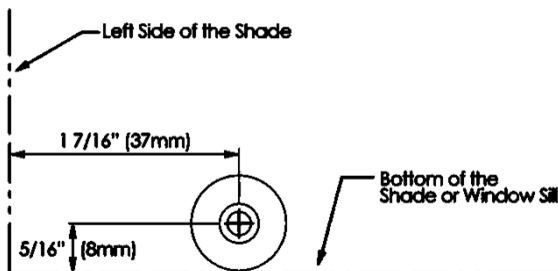
Magnet



Magnet Catch

Available colors for Magnet Catch

- **Default:** Nickel-Plated
- **Optional:** Pure White, Silk White, Bisque, Pearl, Bright Brass, Antique Brass, Black, Crisp Linen, String, Sea Mist, Stone Gray, Brown Gray, Taupe Gray

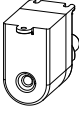
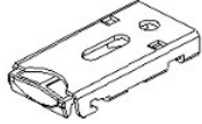


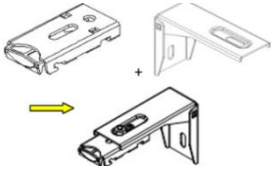
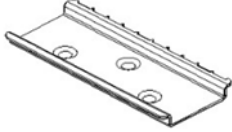
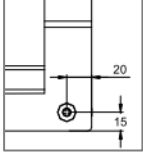
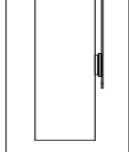
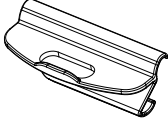

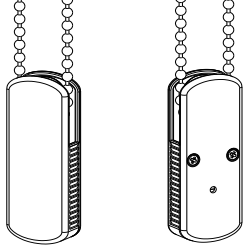

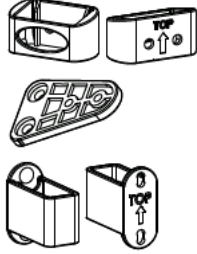



Allow extra wall space for installation of the magnet catch:

- 1 7/16" from the side edge of the shade
- 5/16" from the bottom edge of the shade or window sill

Centerpiece™ Roman Shades

Hardware & Accessories

Item	Drawing	Item	Drawing
Spring Box for Roman		Spring Loaded Bracket (Inside Mount)	
Spring Loaded Bracket (Outside Mount)		Spring Loaded Bracket for Continuous Cord Loop with 2" headrail & SmartRelease™ (Outside Mount)	
Spring Loaded Bracket for Day & Night (Outside Mount)		Pre-attached Bracket (Inside Mount & Outside Mount)	 Note: Will be pre-attached on headrail
Magnetic Hold Down (Optional)	  Front View Side View	Handle for Rear Roller of Cordless Day & Night	
Pole attachment only Max 2 per shade	 Screw-on design; compatible with most screw tip poles	Cord Loop Tensioner	
Cordless Pole (Optional) 36" & 60" Max 2 poles per shade		Cord Loop tension Holder	 For Inside Mount and Semi-Inside Mount x1pc For Semi-Inside Mount x1pc For Outside Mount x1pc
Shim (Optional for Outside Mount) Not Available for Day & Night Shade*	 Note: 3/8" thickness for one, 3/4" thickness for two	*Shims are not recommended for Day & Night shades. The bracket design provides sufficient mounting space, and using shims on heavier Day & Night shades may affect stability.	

Centerpiece™ Roman Shades

Fabric List

Sheer

Collection Name	Fabric Code	Color Code	Color Name	Price Group	Composition	Fabric Width	Railroad	Seam	Decorative Pillow	Iron Instructions
Sheer Elegance	AC0402	F1085	Dim Ecru	2	100% Polyester	110"	No	No	No	Do Not Iron
	AC0401	F1082	Corn White	2	68% Polyester 32% Cotton	110"	Standard; Non-railroad Optional	No	No	Do Not Iron
	AC0401	F1083	Sea Green	2	68% Polyester 32% Cotton	110"		Standard; Non-railroad Optional	No	No
	AB0665	F1470	Cloud White	2	100% Polyester	129"	No	No	No	Cold iron mildly
	AB0665	F1657	Floral White	2	100% Polyester	129"	No	No	No	Cold iron mildly
Scarlett	AB0674	F1599	Cottage Linen	1	95.5% Polyester 4.5% Linen	118"	No	No	No	Cold iron mildly
	AB0674	F1600	Seashell	1	95.5% Polyester 4.5% Linen	118"	No	No	No	Cold iron mildly
	AB0674	F1601	Crema	1	95.5% Polyester 4.5% Linen	118"	No	No	No	Cold iron mildly
	AB0674	F1602	Stone	1	95.5% Polyester 4.5% Linen	118"	No	No	No	Cold iron mildly

Semi-Opaque

Collection Name	Fabric Code	Color Code	Color Name	Price Group	Composition	Fabric Width	Railroad	Seam	Decorative Pillow	Iron Instructions
Valencia	AA0217	F0255	Greige	2	43% Cotton 57% Polyester	57"	Yes	Yes	Yes	Iron, Low
	AB0202	F0145	Rich Wheat	2	31% Linen 27% Polyester 25% Cotton 17% Rayon	55"	Yes	Yes	Yes	Do Not Iron
Blake	AA0215	F0247	Dark Slate	3	90% Polyester 10% Linen	122"	No	No	No	Iron, Low
Rochelle	AB0301	F0228	French Roast	3	100% Silk	55"	Yes	Yes	Yes	Do Not Iron
Lakeside	AA0210	F0183	Milk	2	54% Linen 46% Cotton	53"	Yes	Yes	Yes	Do Not Iron
	AA0210	F0184	Warm White	2	54% Linen 46% Cotton	53"	Yes	Yes	Yes	Do Not Iron
	AA0210	F0185	Pebble	2	54% Linen 46% Cotton	53"	Yes	Yes	Yes	Do Not Iron
	AA0210	F0186	Rich Gold	2	54% Linen 46% Cotton	53"	Yes	Yes	Yes	Do Not Iron
	AA0210	F0189	Loden Green	2	54% Linen 46% Cotton	53"	Yes	Yes	Yes	Do Not Iron
	AA0210	F0191	Claret	2	54% Linen 46% Cotton	53"	Yes	Yes	Yes	Do Not Iron
	AA0210	F0190	Deep Ocean	2	54% Linen 46% Cotton	53"	Yes	Yes	Yes	Do Not Iron
	AA0210	F0188	Chocolate Brown	2	54% Linen 46% Cotton	53"	Yes	Yes	Yes	Do Not Iron
	AA0210	F0187	Steel Gray	2	54% Linen 46% Cotton	53"	Yes	Yes	Yes	Do Not Iron
	AA0210	F0192	Jet Black	2	54% Linen 46% Cotton	53"	Yes	Yes	Yes	Do Not Iron

Centerpiece™ Roman Shades

Fabric List

Semi-Opaque

Collection Name	Fabric Code	Color Code	Color Name	Price Group	Composition	Fabric Width	Railroad	Seam	Decorative Pillow	Iron Instructions
Bali	A90105	F0668	Black Walnut	3	74% Jute 26% Polyester	78"	No	No	No	Cold iron mildly
	A90105	F1668	Sand	3	74% Jute 26% Polyester	78"	No	No	No	Cold iron mildly
	A90105	F1669	Flax	3	74% Jute 26% Polyester	78"	No	No	No	Cold iron mildly
	A90105	F1926	Latte	3	74% Jute 26% Polyester	94.5"	No	No	No	Cold iron mildly
	A90105	F1927	Stone Gray	3	74% Jute 26% Polyester	94.5"	No	No	No	Cold iron mildly
	A90105	F2023	Desert Beige	3	74% Jute 26% Polyester	94.5"	No	No	No	Cold iron mildly
	A90105	F2024	Warm Mocha	3	74% Jute 26% Polyester	94.5"	No	No	No	Cold iron mildly
	A90105	F2025	Soft Sandstone	3	74% Jute 26% Polyester	94.5"	No	No	No	Cold iron mildly
	A90105	F2026	Gentle Ash	3	74% Jute 26% Polyester	94.5"	No	No	No	Cold iron mildly
	A90105	F2027	Gray	3	74% Jute 26% Polyester	94.5"	No	No	No	Cold iron mildly
Breeze	AB0699	F1897	Linen Natural	3	85.4% Polyester 14.6% Linen	118"	No	No	Yes	Cold iron mildly
	AB0699	F1898	Linen Khaki	3	85.4% Polyester 14.6% Linen	118"	No	No	Yes	Cold iron mildly
	AB0699	F1899	Linen Graphite	3	85.4% Polyester 14.6% Linen	118"	No	No	Yes	Cold iron mildly
	AB0699	F1900	Linen Almond Milk	3	85.4% Polyester 14.6% Linen	118"	No	No	Yes	Cold iron mildly
	AB0699	F1901	Linen Stone	3	85.4% Polyester 14.6% Linen	118"	No	No	Yes	Cold iron mildly
	AB0699	F1902	Linen Warm Ivory	3	85.4% Polyester 14.6% Linen	118"	No	No	Yes	Cold iron mildly
	AB0699	F1903	Linen Cloud	3	85.4% Polyester 14.6% Linen	118"	No	No	Yes	Cold iron mildly
Francis	AA0369	F1932	Oatmeal	2	100% Polyester	118"	No	No	Yes	Cold iron mildly
	AA0369	F1933	Black	2	100% Polyester	118"	No	No	Yes	Cold iron mildly
	AA0369	F1904	White	2	100% Polyester	118"	No	No	Yes	Cold iron mildly
	AA0369	F1905	Weathered White	2	100% Polyester	118"	No	No	Yes	Cold iron mildly
	AA0369	F1906	Broken White	2	100% Polyester	118"	No	No	Yes	Cold iron mildly
	AA0369	F1907	Soft Sandstone	2	100% Polyester	118"	No	No	Yes	Cold iron mildly
	AA0369	F1908	Desert Beige	2	100% Polyester	118"	No	No	Yes	Cold iron mildly
	AA0369	F1909	Rich Truffle	2	100% Polyester	118"	No	No	Yes	Cold iron mildly

Centerpiece™ Roman Shades

Semi-Opaque

Collection Name	Fabric Code	Color Code	Color Name	Price Group	Composition	Fabric Width	Railroad	Seam	Decorative Pillow	Iron Instructions
Francis	AA0369	F1984	Soft Gray	2	100% Polyester	118"	No	No	Yes	Cold iron mildly
	AA0369	F1985	Cloudy Gray	2	100% Polyester	118"	No	No	Yes	Cold iron mildly
	AA0369	F1986	Natural Beige	2	100% Polyester	118"	No	No	Yes	Cold iron mildly
	AA0369	F1987	Warm Mocha	2	100% Polyester	118"	No	No	Yes	Cold iron mildly
	AA0369	F1988	Graphite	2	100% Polyester	118"	No	No	Yes	Cold iron mildly
	AA0369	F1989	Stone Gray	2	100% Polyester	118"	No	No	Yes	Cold iron mildly
	AA0369	F1990	Soothing Gray	2	100% Polyester	118"	No	No	Yes	Cold iron mildly
	AA0369	F1991	Gentle Ash	2	100% Polyester	118"	No	No	Yes	Cold iron mildly
Ashley	AA0387	F2071	Extra White	2	100% Polyester	118"	No	No	Yes	Cold iron mildly
	AA0387	F2072	Warm White	2	100% Polyester	118"	No	No	Yes	Cold iron mildly
	AA0387	F2073	Dovetail	2	100% Polyester	118"	No	No	Yes	Cold iron mildly
	AA0387	F2074	Sand Canyon	2	100% Polyester	118"	No	No	Yes	Cold iron mildly
	AA0387	F2075	Driftwood	2	100% Polyester	118"	No	No	Yes	Cold iron mildly
	AA0387	F2076	Light Fawn	2	100% Polyester	118"	No	No	Yes	Cold iron mildly
Whispering Willow	AB06103	F2081	Diamond	2	100% Polyester	118"	No	No	Yes	Cold iron mildly
	AB06103	F2082	Dove	2	100% Polyester	118"	No	No	Yes	Cold iron mildly
	AB06103	F2083	Cottage Straw	2	100% Polyester	118"	No	No	Yes	Cold iron mildly

Fabric List

Semi-Opaque

Collection Name	Fabric Code	Color Code	Color Name	Price Group	Composition	Fabric Width	Railroad	Seam	Decorative Pillow	Iron Instructions
Libeco Belgian Linen	AA0902	F1057	Champagne 2598	3	100% Linen	114"	No	Yes	Yes	Do Not Iron
	AA0902	F1058	Gray 3232	3	100% Linen	114"	No	Yes	Yes	Do Not Iron
	AA0901	F1051	Warm Gray 8029	3	100% Linen	54"	Yes	Yes	Yes	Do Not Iron
	AB0704	F1061	Sag Harbor 0006	3	100% Linen	102"	No	Yes	Yes	Do Not Iron
Lorraine	AB0204	F0193	Vanilla Ice	2	63% Cotton 37%Polyester	60"	Yes	Yes	Yes	Iron, Medium
	AB0204	F0194	Sand	2	63% Cotton 37%Polyester	60"	Yes	Yes	Yes	Iron, Medium
	AB0204	F0195	Espresso	2	63% Cotton 37%Polyester	60"	Yes	Yes	Yes	Iron, Medium
	AB0204	F0196	Sedona Sage	2	63% Cotton 37%Polyester	60"	Yes	Yes	Yes	Iron, Medium
	AB0103	F0031	Black Gingham	2	100% Cotton	56"	Yes	No	Yes	Do Not Iron
	AA0201	F0058	Seal Brown	2	31% Cotton 69% Polyester	58"	Yes	Yes	Yes	Iron, Low
Sierra	AB06100	F1916	Snow	3	100% Polyester	110"	No	No	Yes	Cold iron mildly
	AB06100	F1917	Cream	3	100% Polyester	110"	No	No	Yes	Cold iron mildly
	AB06100	F1918	Natural	3	100% Polyester	110"	No	No	Yes	Cold iron mildly
	AB06100	F1919	Silverware	3	100% Polyester	110"	No	No	Yes	Cold iron mildly
	AB06100	F1920	Canvas	3	100% Polyester	110"	No	No	Yes	Cold iron mildly
	AB06100	F1921	Graphite	3	100% Polyester	110"	No	No	Yes	Cold iron mildly
	AB06100	F1922	Stone	3	100% Polyester	110"	No	No	Yes	Cold iron mildly
	AB06100	F1923	Caviar	3	100% Polyester	110"	No	No	Yes	Cold iron mildly

Fabric List

Semi-Opaque

Collection Name	Fabric Code	Color Code	Color Name	Price Group	Composition	Fabric Width	Railroad	Seam	Decorative Pillow	Iron Instructions
Caroline	AA0206	F1089	Optic White	2	100% Polyester	110"	No	No	Yes	Iron, Low
	AA0206-A	F1090	Warm White	2	100% Polyester	110"	No	No	Yes	Iron, Low
	AA0206	F1102	Greige	2	100% Polyester	110"	No	No	Yes	Iron, Low
	AA0206	F1091	Taupe	2	100% Polyester	110"	No	No	Yes	Iron, Low
	AA0206	F1092	Sky Gray	2	100% Polyester	110"	No	No	Yes	Iron, Low
	AA0206	F1093	Dove Gray	2	100% Polyester	110"	No	No	Yes	Iron, Low
	AA0206	F1094	Pale Green	2	100% Polyester	110"	No	No	Yes	Iron, Low
	AA0206	F1095	Deep Khaki	2	100% Polyester	110"	No	No	Yes	Iron, Low
	AA0206	F1096	Light Brown	2	100% Polyester	110"	No	No	Yes	Iron, Low
	AA0206	F1097	Terra Cotta	2	100% Polyester	110"	No	No	Yes	Iron, Low
	AA0206	F1098	Dark Brown	2	100% Polyester	110"	No	No	Yes	Iron, Low
	AA0206	F1099	Navy	2	100% Polyester	110"	No	No	Yes	Iron, Low
AA0206	F1100	Medium Blue	2	100% Polyester	110"	No	No	Yes	Iron, Low	
Alma	AA0355	F1621	Dusk Blue	2	100% Polyester	108"	No	No	Yes	Iron, Low
	AA0355	F1622	Coronet Blue	2	100% Polyester	108"	No	No	Yes	Iron, Low
	AA0355	F1623	Dark Shadow	2	100% Polyester	108"	No	No	Yes	Iron, Low
	AA0355	F1624	Paloma	2	100% Polyester	108"	No	No	Yes	Iron, Low
	AA0355	F1625	Cloudburst	2	100% Polyester	108"	No	No	Yes	Iron, Low
	AA0355	F1626	Whitecap Gray	2	100% Polyester	108"	No	No	Yes	Iron, Low
	AA0355	F1627	Doeskin	2	100% Polyester	108"	No	No	Yes	Iron, Low
	AA0355	F1628	Whisper White	2	100% Polyester	108"	No	No	Yes	Iron, Low
	AA0355	F1629	Chalk White	2	100% Polyester	108"	No	No	Yes	Iron, Low
	AA0355	F1631	Plum	2	100% Polyester	108"	No	No	Yes	Iron, Low

Fabric List

Semi-Opaque

Collection Name	Fabric Code	Color Code	Color Name	Price Group	Composition	Fabric Width	Railroad	Seam	Decorative Pillow	Iron Instructions
Windsor	AA0306-A	F0229	Pearl White	2	100% Polyester	60"	Yes	Yes	Yes	Cold iron mildly
	AA0306-A	F0232	Earth	2	100% Polyester	60"	Yes	Yes	Yes	Cold iron mildly
	AA0306-A	F0231	Smoke	2	100% Polyester	60"	Yes	Yes	Yes	Cold iron mildly
	AA0306-A	F0234	Tarmac	2	100% Polyester	60"	Yes	Yes	Yes	Cold iron mildly
	AA0306-A	F0230	Neutral Gray	2	100% Polyester	60"	Yes	Yes	Yes	Cold iron mildly
	AA0306-A	F1957	Lotus White	2	100% Polyester	60"	Yes	Yes	Yes	Cold iron mildly
	AA0306-A	F1976	Gentle Ash	2	100% Polyester	60"	Yes	Yes	Yes	Cold iron mildly
	AA0306-A	F1977	Soft Sandstone	2	100% Polyester	60"	Yes	Yes	Yes	Cold iron mildly
	AA0306-A	F1978	Desert Beige	2	100% Polyester	60"	Yes	Yes	Yes	Cold iron mildly
	AA0306-A	F1979	Warm Mocha	2	100% Polyester	60"	Yes	Yes	Yes	Cold iron mildly
	AA0306-A	F1980	Anthracite Gray	2	100% Polyester	60"	Yes	Yes	Yes	Cold iron mildly
	AA0306-A	F1981	Gray	2	100% Polyester	60"	Yes	Yes	Yes	Cold iron mildly
	AA0306-A	F1982	Graphite	2	100% Polyester	60"	Yes	Yes	Yes	Cold iron mildly
	AA0306-A	F1983	Soothing Gray	2	100% Polyester	60"	Yes	Yes	Yes	Cold iron mildly
	AA0306-A	F1992	Cloudy Gray	2	100% Polyester	60"	Yes	Yes	Yes	Cold iron mildly
	AA0306-A	F1993	Rich Truffle	2	100% Polyester	60"	Yes	Yes	Yes	Cold iron mildly
AA0306-A	F0233	Toast	2	100% Polyester	60"	Yes	Yes	Yes	Cold iron mildly	
Ellie	AA0372	F1939	Linen White	3	100% Polyester	60.5"	No	Yes	Yes	Cold iron mildly
	AA0372	F1940	Wheat	3	100% Polyester	60.5"	No	Yes	Yes	Cold iron mildly
	AA0372	F1941	Mist Gray	3	100% Polyester	60.5"	No	Yes	Yes	Cold iron mildly

Fabric List

Semi-Opaque (Natural)

Collection Name	Fabric Code	Color Code	Color Name	Price Group	Composition	Fabric Width	Railroad	Seam	Decorative Pillow	Iron Instructions
Bora Bora	A90104	F0662	Seashell White	2	82% Paper, 18% Polyester	96"	No	No	No	Iron, Low
	A90104	F0663	Straw	2	82% Paper, 18% Polyester	96"	No	No	No	Iron, Low
	A90104	F0869	Cinnamon	2	82% Paper, 18% Polyester	96"	No	No	No	Iron, Low
Caroline	AB0608	F0867	White Sand	2	22% Polyester, 61% Paper, 17% Jute	96"	No	No	No	Iron, Low
Catalina	AB0675	F1605	Sea Salt	2	85.2% Paper, 14.8% Polyester	96"	No	No	No	Iron, Low
	AB0675	F1712	Oatmeal	2	85.2% Paper, 14.8% Polyester	96"	No	No	No	Iron, Low
Java	AB0609	F0856	Raffia	2	9% Polyester, 91% Paper	78"	No	No	No	Iron, Low
	AB0609	F0857	Haystack	2	9% Polyester, 91% Paper	78"	No	No	No	Iron, Low
	AB0609	F0858	Natural	2	9% Polyester, 91% Paper	78"	No	No	No	Iron, Low
	AB0609	F0859	Sage	2	9% Polyester, 91% Paper	78"	No	No	No	Iron, Low
	AB0609	F1562	Toasted Brown	2	9% Polyester, 91% Paper	78"	No	No	No	Iron, Low
Phuket	A90103	F0656	Snow White	2	82% Paper, 18% Polyester	96"	No	No	No	Iron, Low
	A90103	F0657	Honey	2	82% Paper, 18% Polyester	96"	No	No	No	Iron, Low
	A90103	F0659	Black Olive	2	82% Paper, 18% Polyester	96"	No	No	No	Iron, Low
	A90103	F0660	Grey Fog	2	82% Paper, 18% Polyester	96"	No	No	No	Iron, Low
	A90103	F0661	Dust	2	82% Paper, 18% Polyester	96"	No	No	No	Iron, Low
	A90103	F0868	Dough	2	82% Paper, 18% Polyester	96"	No	No	No	Iron, Low
	A90103	F1670	Mocha	2	82% Paper, 18% Polyester	96"	No	No	No	Iron, Low
Riviera	AB0651	F1290	Frost	2	84% Paper, 16% Polyester	94.5"	No	No	No	Iron, Low
	AB0651	F1291	Sugar Cane	2	84% Paper, 16% Polyester	94.5"	No	No	No	Iron, Low
	AB0651	F1292	Honey	2	84% Paper, 16% Polyester	94.5"	No	No	No	Iron, Low
	AB0651	F1293	Metal	2	84% Paper, 16% Polyester	94.5"	No	No	No	Iron, Low
	AB0651	F1713	Silver Fox	2	84% Paper, 16% Polyester	94.5"	No	No	No	Iron, Low
Sumatra	AB0605	F0854	Fog	2	22% Polyester, 78% Paper	96"	No	No	No	Iron, Low

Centerpiece™ Roman Shades

Fabric List

Opaque

Collection Name	Fabric Code	Color Code	Color Name	Price Group	Composition	Fabric Width	Railroad	Seam	Decorative Pillow	Iron Instructions
Seabreeze	AA0307-A	F0235	Egret	2	100% Polyester	60"	Yes	Yes	Yes	Cold iron mildly
	AA0307	F0238	Ebony	2	100% Polyester	60"	Yes	Yes	Yes	Cold iron mildly
	AA0307-A	F1956	Vanilla White	2	100% Polyester	60"	Yes	Yes	Yes	Cold iron mildly
	AA0307-A	F1968	Gentle Ash	2	100% Polyester	60"	Yes	Yes	Yes	Cold iron mildly
	AA0307-A	F1969	Soft Sandstone	2	100% Polyester	60"	Yes	Yes	Yes	Cold iron mildly
	AA0307-A	F1970	Desert Beige	2	100% Polyester	60"	Yes	Yes	Yes	Cold iron mildly
	AA0307-A	F1971	Warm Mocha	2	100% Polyester	60"	Yes	Yes	Yes	Cold iron mildly
	AA0307-A	F1972	Anthracite Gray	2	100% Polyester	60"	Yes	Yes	Yes	Cold iron mildly
	AA0307-A	F1973	Gray	2	100% Polyester	60"	Yes	Yes	Yes	Cold iron mildly
	AA0307-A	F1974	Graphite	2	100% Polyester	60"	Yes	Yes	Yes	Cold iron mildly
	AA0307-A	F1975	Soothing Gray	2	100% Polyester	60"	Yes	Yes	Yes	Cold iron mildly
	AA0307-A	F1994	Cloudy Gray	2	100% Polyester	60"	Yes	Yes	Yes	Cold iron mildly
	AA0307-A	F1995	Rich Truffle	2	100% Polyester	60"	Yes	Yes	Yes	Cold iron mildly
	AA0307-A	F0236	Rich Cream	2	100% Polyester	60"	Yes	Yes	Yes	Cold iron mildly
	AA0307-A	F0239	Tapestry Gold	2	100% Polyester	60"	Yes	Yes	Yes	Cold iron mildly
Ella	AB0203	F0182	Spice	2	78% Polyester 20% Rayon 2% Linen	56"	No	Yes	Yes	Iron, Low
	AB0203	F0178	Java	2	78% Polyester 20% Rayon 2% Linen	56"	No	Yes	Yes	Iron, Low
Taylor	AA0305	F0210	Corn Silk White	2	100% Polyester	60"	Yes	Yes	Yes	Iron, Medium
	AA0305	F0211	Khaki	2	100% Polyester	60"	Yes	Yes	Yes	Iron, Medium
	AA0305	F0214	Sky Blue	2	100% Polyester	60"	Yes	Yes	Yes	Iron, Medium
	AA0305	F0221	Orange Spice	2	100% Polyester	60"	Yes	Yes	Yes	Iron, Medium
	AA0305	F0219	Puce	2	100% Polyester	60"	Yes	Yes	Yes	Iron, Medium
	AA0305	F0220	Tango Red	2	100% Polyester	60"	Yes	Yes	Yes	Iron, Medium
	AA0305	F0261	Navy	2	100% Polyester	60"	Yes	Yes	Yes	Iron, Medium
	AA0305	F0217	India Ink	2	100% Polyester	60"	Yes	Yes	Yes	Iron, Medium

Fabric List

Opaque

Collection Name	Fabric Code	Color Code	Color Name	Price Group	Composition	Fabric Width	Railroad	Seam	Decorative Pillow	Iron Instructions
Solids	AA0802-A	F1069	Linen White	2	95% Polyester 5% Linen	110"	Yes	Yes	Yes	Do Not Iron
	AB0320	F1067	Taupe	2	100% Polyester	60"	Yes	Yes	Yes	Do Not Iron
	AA0319	F1064	Anti White	2	100% Polyester	60"	Yes	Yes	Yes	Do Not Iron
	AA0319	F1063	Slate Gray	2	100% Polyester	60"	Yes	Yes	Yes	Do Not Iron
Patterns	AB0635	F1073	Sky Blue	2	85% Polyester 15% Rayon	110"	No	No	Yes	Do Not Iron
	AB0635	F1075	Cadet Gray	2	85% Polyester 15% Rayon	110"	No	No	Yes	Do Not Iron
	AB0635	F1072	Olive Green	2	85% Polyester 15% Rayon	110"	No	No	Yes	Do Not Iron
	AB0635	F1074	Camel	2	85% Polyester 15% Rayon	110"	No	No	Yes	Do Not Iron
	AB0636	F1076	Cosmic Latte	2	85% Polyester 15% Rayon	110"	No	No	Yes	Do Not Iron
	AB0636	F1078	Ash Gray	2	85% Polyester 15% Rayon	110"	No	No	Yes	Do Not Iron
	AB0636	F1079	Dark Cerulean	2	85% Polyester 15% Rayon	110"	No	No	Yes	Do Not Iron
	AB0636	F1077	Charcoal	2	85% Polyester 15% Rayon	110"	No	No	Yes	Do Not Iron
	AB0637	F1080	Snow White	2	100% Polyester	110"	No	No	Yes	Do Not Iron
	AB0637	F1081	Field Drab	2	100% Polyester	110"	No	No	Yes	Do Not Iron
	AB0637	F1101	Moss Green	2	100% Polyester	110"	No	No	Yes	Do Not Iron
	AB0634	F1071	Woolen White	2	70% Polyester 30% Rayon	110"	No	No	Yes	Do Not Iron
	AB0634	F1070	Woolen Gray	2	70% Polyester 30% Rayon	110"	No	No	Yes	Do Not Iron

Fabric List

Opaque

Collection Name	Fabric Code	Color Code	Color Name	Price Group	Composition	Fabric Width	Railroad	Seam	Decorative Pillow	Iron Instructions
Impressions	AA0361	F1695	Gris Perle	2	100% Polyester	118"	No	No	Yes	Cold iron mildly
	AA0361	F1719	Almond Ash	2	100% Polyester	118"	No	No	Yes	Cold iron mildly
	AA0361	F1720	Rose Dust	2	100% Polyester	118"	No	No	Yes	Cold iron mildly
	AA0361	F1721	Coastal Sandstone	2	100% Polyester	118"	No	No	Yes	Cold iron mildly
	AA0361	F1794	Ice White	2	100% Polyester	118"	No	No	Yes	Cold iron mildly
	AA0361	F1795	Warm White	2	100% Polyester	118"	No	No	Yes	Cold iron mildly
Louise	AB0681	F1708	Glacier Blue	2	100% Polyester	126"	No	No	Yes	Cold iron mildly
	AB0681	F1709	White Jade	2	100% Polyester	126"	No	No	Yes	Cold iron mildly
	AB0681	F1710	Light Apricot	2	100% Polyester	126"	No	No	Yes	Cold iron mildly
	AB0681	F1711	Sepia	2	100% Polyester	126"	No	No	Yes	Cold iron mildly

Roman Fabric Notes:

1. When selecting sheer fabrics, blackout lining is the **default**. Translucent lining may be specified as an **option**, but the concealment flap will always include a blackout lining. For optimal aesthetic results with sheer fabrics, blackout lining is highly recommended.
2. Fabric by the yard is available for Roman fabrics. (Max 10 yards) Please refer to the appendix in the Retail Guide for pricing.
3. 100% silk fabrics (Rochelle collection), Bali, Scarlett, Bora Bora, Caroline AB0608, Catalina, Java, Riviera, Sumatra & Phuket Collections are not available in Flat Fold without Seams.
4. Lakeside, Sheer fabrics (Sheer Elegance & Scarlett), Bali, Bora Bora, Caroline AB0608, Catalina, Java, Riviera, Sumatra & Phuket collections are not available in Soft Fold shades.

Roman Day & Night – Roller Fabric List

Light Filtering Sheer & Natural Fabrics

Fabric List			Max Width	Material
Collection Name	Color Code	Color Name		
Sheer	F0908	Linen Weave	118"	100% Polyester
Dazzle	F1538	Soft White	110"	100% Polyester
	F1539	Eggshell		
	F1540	Pewter Green		
	F1541	Charcoal		
	F1542	Ink		
Caroline	F0867	White sand	96"	22% Polyester, 61% Paper, 17% Jute
Phuket	F0656	Snow White	96"	82% Paper, 18% Polyester
	F0657	Honey		
	F0659	Black Olive		
	F0660	Grey Fog		
	F0661	Dust		
	F0868	Dough		
	F1670	Mocha		
Bora Bora	F0662	Seashell White	96"	82% Paper, 18% Polyester
	F0663	Straw		
	F0869	Cinnamon		
Sumatra	F0854	Fog	96"	22% Polyester, 78% Paper
Java	F0856	Raffia	78"	9% Polyester, 91% Paper
	F0857	Haystack		
	F0858	Natural		
	F0859	Sage		
	F1562	Toasted Brown		
Riviera	F1290	Frost	94.5"	84% Paper, 16% Polyester
	F1291	Sugar Cane		
	F1292	Honey		
	F1293	Metal		
	F1713	Silver Fox		
Lake Tahoe	F1577	Stone	96"	27.7% Polyester, 72.3% Paper
Scarlett	F1599	Cottage Linen	118"	95.5% Polyester, 4.5% Linen
	F1600	Seashell		
	F1601	Crema		
	F1602	Stone		
Catalina	F1605	Sea Salt	96"	85.2% Paper, 14.8% Polyester
	F1712	Oatmeal		
Lakeshore	F1642	Natural Gray	118"	100% Polyester

Roman Day & Night – Roller Fabric List

Light Filtering Designer Fabrics (1/2)

Fabric List			Max Width	Material
Collection Name	Color Code	Color Name		
Kendra	F0890	LF Foliage	118"	100% Polyester
Francis	F0883	Brownie	118"	100% Polyester
	F0876	Pearl		
	F0877	Barley		
	F0878	Sandstone		
	F0879	Toast		
	F0882	Espresso		
	F0884	Oatmeal		
	F0885	Doe		
	F0886	Shale		
	F0888	Black		
Breeze	F0889	Denim	118"	85.4% Polyester, 14.6% Linen
	F0891	Linen Flax		
	F0893	Linen Natural		
	F0894	Linen Khaki		
	F0895	Linen Dune		
	F0896	Linen Graphite		
	F0927	Linen Almond Milk		
	F1778	Linen Stone		
Clarissa	F1847	Linen Cloud	118"	100% Polyester
	F1851	Linen Warm Ivory		
	F0870	Wheat		
	F0871	Platinum		
	F0872	Tobacco Brown		
	F0873	Sable Brown		
Hayes	F0874	Burlap	118"	100% Polyester
	F0928	Porcelain		
	F0747	Maple		
	F0748	Hickory		
Valerie	F0749	Birch	118"	100% Polyester
	F0751	Mahogany		
	F0738	Moonscape		
	F0742	Sapphire		
	F0739	Cove		
	F0743	Silhouette		
Emery	F0740	Dolphin	118"	100% Polyester
	F0741	Pomegranate		
	F0752	Daylight		
	F0753	Creamy		
	F0754	Khaki		
Brook	F1560	Chiffon	118"	100% Polyester
	F1561	Maize		
	F1120	Pewter		
	F1121	Egret		
	F1122	Smoke		
Chelsea	F1123	Beige	118"	100% Polyester
	F1157	Latte		
	F1445	Snow		
	F1446	Cream		
	F1447	Natural	110"	100% Polyester

Roman Day & Night – Roller Fabric List

Light Filtering Designer Fabrics (2/2)

Fabric List			Max Width	Material
Collection Name	Color Code	Color Name		
Chelsea	F1448	Stone	110"	100% Polyester
	F1449	Caviar		
Sierra	F1450	Snow	110"	100% Polyester
	F1451	Cream		
	F1452	Natural		
	F1453	Stone		
	F1454	Caviar		
	F1966	Canvas		
	F1967	Graphite		
Shimmer	F1436	Goldmine	110"	100% Polyester
	F1437	Starry Night		
	F1439	Pewter		
	F1440	Midnight		
Amelia	F1484	Mist Gray	118"	100% Polyester
	F1485	Heather Gray		
	F1486	Heather Charcoal		
	F1487	Heather Smoke		
Clarissa	F1532	Powder	118"	100% Polyester
	F1533	Steel		
	F1534	Silver Satin		
	F1535	Golden Straw		
	F1536	Coffee Bean		
	F1550	Coal		
Lola LF	F1551	Porcelain	118"	100% Polyester
	F1552	Almond		
	F1553	Light Khaki		
	F1554	Wheat		
	F1555	Platinum		
	F1556	Cement		
	F1557	Pewter		
	F1558	Iron		
F1559	Indigo			
Verona LF	F1641	Pearl Cotton	118"	100% Polyester
Callie	F1734	Pure White	118"	100% Polyester
	F1736	Natural Tan		
	F1737	Silver Ash		
	F1738	Pebble Gray		
	F1739	Black Iron		
	F1735	Vanilla Cream		
	F2028	Cloudy Gray		
	F2030	Gray		
	F2032	Rich Truffle		
Remy	F1746	White Dove	118"	100% Polyester
	F1747	Seashell Gray		
	F1748	Dune		
	F1749	Hickory Bark		
	F1750	Creamy Mocha		
	F1751	Natural Slate		

Roman Day & Night – Roller Fabric List

Room Darkening Fabrics (1/2)

Fabric List			Max Width	Material
Collection Name	Color Code	Color Name		
Garden	F0853	RD Foliage	118"	100% Polyester
	F1514	Winter White		
	F1515	Ecru		
	F1516	Cinnamon		
	F1517	Forest		
	F1518	Midnight		
Elements (White Backing)	F1108	White	118"	100% Polyester
	F1109	Stone Gray		
	F1110	Broken White		
	F1111	Cloudy Gray		
	F1112	Gray		
	F1113	Anthracite Gray		
Jamaica	F0827	Latte	118"	100% Polyester
	F0828	Crystal		
	F0829	Biscuit		
Bermuda	F0831	Mushroom	118"	100% Polyester
	F0832	Cocoa		
	F0834	Charcoal		
Fiji	F0822	Pure White	118"	100% Polyester
	F0823	Cream/Ash		
	F0824	Flax/Brown		
	F0825	Chocolate/Cream		
	F0826	Charcoal/Brown		
Lola BO	F1455	Porcelain	118"	100% Polyester
	F1456	Almond		
	F1457	Light Khaki		
	F1458	Wheat		
	F1459	Platinum		
	F1460	Cement		
	F1461	Pewter		
	F1462	Iron		
F1463	Indigo			
Summerland	F1510	Pearl	118"	90% Polyester, 10% Linen
	F1511	Maize		
	F1512	Sterling		
Cory	F1479	White	118"	100% Polyester
	F1480	Ivory		
	F1481	Sand		

Roman Day & Night – Roller Fabric List

Room Darkening Fabrics (2/2)

Fabric List			Max Width	Material
Collection Name	Color Code	Color Name		
Callie RD	F1740	Pure White	118"	100% Polyester
	F1742	Natural Tan		
	F1743	Silver Ash		
	F1744	Pebble Gray		
	F1745	Black Iron		
	F1741	Vanilla Cream		
	F2033	Cloudy Gray		
	F2035	Gray		
	F2037	Rich Truffle		
Remy RD	F1752	White Dove	118"	100% Polyester
	F1753	Seashell Gray		
	F1754	Dune		
	F1755	Hickory Bark		
	F1756	Creamy Mocha		
	F1757	Natural Slate		
Francis RD	F1763	Sandstone	118"	100% Polyester
	F1764	Oatmeal		
	F1765	Doe		
	F1766	Black		
	F1767	Denim		
	F1762	Pearl		
Breeze RD	F1768	Linen Flax	118"	85.4%Polyester, 14.6%Linen
	F1769	Linen Natural		
	F1770	Linen Khaki		
	F1771	Linen Dune		
	F1772	Linen Graphite		
	F1773	Linen Almond Milk		
	F1779	Linen Stone		
	F1848	Linen Cloud		
	F1852	Linen Warm Ivory		
Amelia RD	F1774	Mist Gray	118"	100%polyester
	F1775	Heather Gray		
	F1776	Heather Charcoal		
	F1777	Heather Smoke		
Elements	F2109	Stone Gray	118"	100% polyester
	F2110	Broken White		
	F2111	Cloudy Gray		
	F2112	Gray		
	F2113	Anthracite Gray		
	F2114	Weathered White		
	F2115	Soft Sandstone		
	F2116	Gentle Ash		
	F2117	Soothing Gray		
	F2118	Graphite		
	F2119	Desert Beige		
	F2120	Warm Mocha		
	F2121	Rich Truffle		
	F2043	Alabaster		
	F2044	Canvas		
F2045	New Khaki			

Roman Day & Night – Roller Fabric List

Solar Screens (1/2)

Fabric List			Max Width	Material
Collection Name	Color Code	Color Name		
Serene 1%	F1158	Snow White	118"	100% Polyester
	F1150	Silver		
	F1149	Umber		
	F1151	Steel		
Flow 5%	F1159	Polar White	118"	100% Polyester
	F1152	Wheat		
	F1154	Quarry Stone		
	F1153	Ink		
Serene 3%	F1232	Snow White	118"	100% Polyester
	F1233	Silver		
	F1234	Umber		
	F1235	Steel		
Serene 7%	F1240	Snow White	118"	100% Polyester
	F1241	Silver		
	F1242	Umber		
	F1243	Steel		
Flow 1%	F1244	Polar White	118"	100% Polyester
	F1245	Wheat		
	F1246	Quarry Stone		
	F1247	Ink		
Flow 7%	F1248	Polar White	118"	100% Polyester
	F1249	Wheat		
	F1250	Quarry Stone		
	F1251	Ink		
Windsong 1%	F1252	Soft White	118"	100% Polyester
	F1253	Canvas		
	F1254	Graphite		
	F1255	Raven Black		
Windsong 5%	F1260	Soft White	118"	100% Polyester
	F1261	Canvas		
	F1262	Nickel		
	F1263	Graphite		
	F1264	Eclipse		
	F1265	Raven Black		

Roman Day & Night – Roller Fabric List

Solar Screens (2/2)

Fabric List			Max Width	Material
Collection Name	Color Code	Color Name		
Lakeview 3%	F1270	Light Taupe	118"	100% Polyester
	F1271	Sand Drift		
Lakeview 7%	F1266	Flax	118"	100% Polyester
	F1267	Yellow Stone		
Lakeview 10%	F1268	Frost Gray	118"	100% Polyester
	F1269	Java		
Meadows 1%	F1274	Travertine	118"	100% Polyester
	F1275	Mushroom		
	F1276	Sun Buff		
Meadows 3%	F1272	Rustic Brown	118"	100% Polyester
	F1273	Earth Brown		
Jubilee 3%	F1280	Egg Shell	118"	100% Polyester
	F1277	Sweet Cream		
	F1278	Steel Blue/Beige		
	F1279	Chestnut		
	F1281	Coal		
Moon 5%	F1519	Chalk	118"	100% Polyester
	F1520	Pearl Linen		
	F1521	Pearl		
	F1522	Pearl Pewter		
	F1523	Charcoal Chestnut		
	F1524	Charcoal Gray		
Breeze Screen 1%	F1780	Linen Flax	118"	85.4%Polyester, 14.6%Linen
	F1782	Linen Khaki		
	F1785	Linen Almond Milk		Polyester, Linen
	F1786	Linen Stone		
	F1784	Linen Graphite		
	F1846	Linen Cloud		
	F1850	Linen Warm Ivory		
	F1783	Linen Dune		
Breeze Screen 3%	F1787	Linen Flax	118"	85.4%Polyester, 14.6%Linen
	F1789	Linen Khaki		
	F1792	Linen Almond Milk		Polyester, Linen
	F1793	Linen Stone		
	F1791	Linen Graphite		
	F1845	Linen Cloud		
	F1849	Linen Warm Ivory		
	F1790	Linen Dune		
Galaxy 3%	F1727	Black	118"	85% Recycles Repreve Polyester 15% Virgin Polyester
	F1728	Soft White		
	F1731	Ash		

Roman Day & Night – Roller Fabric List

Solar Screens (Commercial)

Fabric List			Max Width	Material
Collection Name	Color Code	Color Name		
NA300 (1%)	F0355	Pearl	118"	25% Polyester, 75% PVC
	F0356	Pearl/Linen		
	F0357	Pearl/Pewter		
	F0359	Charcoal/Gray		
	F0358	Charcoal/Chestnut		
	F1872	Charcoal		
NA300 (3%)	F0360	Pearl	118"	25% Polyester, 75% PVC
	F0361	Pearl/Linen		
	F0362	Pearl/Pewter		
	F0363	Charcoal/Chestnut		
	F0364	Charcoal/Gray		
F1873	Charcoal			
NA820 (3%)	F0407	Oyster/Pewter	118"	25% Polyester, 75% PVC
NA300 (5%)	F0365	Pearl	118"	25% Polyester, 75% PVC
	F0366	Pearl/Linen		
	F0367	Pearl/Pewter		
	F0368	Charcoal/Chestnut		
	F0369	Charcoal/Gray		
	F1874	Charcoal		
NA400 (5%)	F0388	Chalk/Beige	118"	27% Polyester, 73% PVC
	F0390	Charcoal		
NA400 (10%)	F0396	Charcoal	118"	27% Polyester, 73% PVC
NA400 (3%)	F0381	Chalk	118"	27% Polyester, 73% PVC
	F0382	Chalk/Beige		
	F0384	Charcoal		

Fabric Information & Additional Options

Please note that all fabrics will adjust to the environment, and the environmental changes. These adjustments may include color fading, fabric stretching, fabric shrinkage, or other damages.

Color Variation

- Natural fabrics especially linen, cotton and silk are made from natural materials. Color lot variations may occur to fabrics due to varying rates of color absorption during the color application process. Slight imperfections and variations in color are all part of the natural beauty of this product and should be considered to be normal and acceptable.
- Colors may appear to vary depending on the time of day and lighting type under which the product is observed. The appearance of color variation may also occur if the shade is partially or fully lowered.
- All fabric colors gradually fade due to UV exposure. If a shade is left half open for a long time without being fully lowered regularly, the fabrics will fade unevenly. Fabrics will fade more evenly if shades are lowered during the day. Naturally, parts of the shades that are overlapped by another piece of fabric will not receive as much sun exposure, and thus the rate in which it fades will be slower than those parts that are more exposed.
- For the best color match, order all matching shades for a room at the same time. Pattern availability and color lot match between orders cannot be assured. Any variation in color is in accordance with industry standards.
- Light will penetrate through the pin holes of seams/stitching.
- Actual fabric colors may vary slightly from the images we provide.

Wrinkles

- Natural fibers, such as linen, cotton and silk, are fairly inelastic, tend to have wrinkles, and are prone to shrinkage. The tendency to wrinkle is often considered as part of the fabric's unique characteristic. If your Roman shades are wrinkled, hang the shade in a fully lowered position for a few days. It will help minimize the wrinkles, allowing them to usually disappear naturally.
- Disclaimer: Ironing fabrics labeled *Do Not Iron* may damage the fabric and will void the warranty.

Surface Imperfections

- Due to the nature of fibers and the weaving process, some "imperfections" such as slubs in the weave are normal and are not considered to be defects. Slubs in silk, linen and cotton are expected for their unique and natural beauty, and should not be considered to be defects.
- Imperfections on fabrics in longer lengths may occur. These are caused by the weaving process.
- There is a maximum of 10 yards for fabric by the yard as surface imperfections in longer lengths may occur. These imperfections will be marked with a label.

Asymmetry


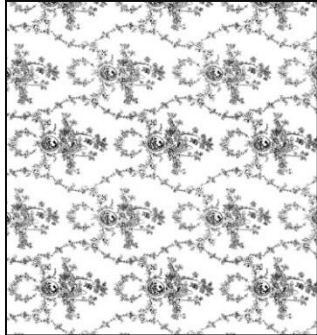

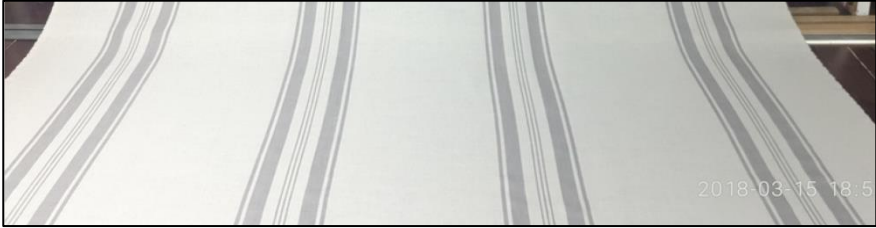
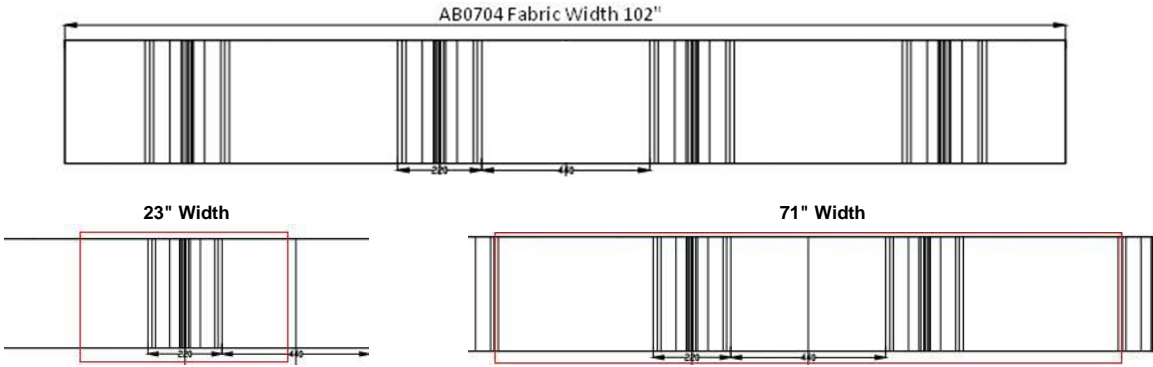
- Due to the natural characteristics of fabrics, slight shrinkage and stretching may occur. Variations in size and shape of the shade are to be expected and deemed acceptable. These variations may cause slight asymmetry and may alter the appearance of the finished shade.
- Specifically, you may notice a slight variation in width and/or length on one of the shades compared to what was ordered. Even with shrinkage control in the manufacturing process, most linen, cotton, and silk fabrics tend to shrink during or after production. Thus, the width and length of the shade may have changed slightly after the shade has been in operation for some time. Washing the shade can further intensify this shrinkage.
- Width and length difference between different shades may occur due to fabric shrinkage and manufacturer tolerance. Thus the length of the shade and the segment height between two shades would be different, even if the shades were ordered as the same size.
- After the Roman shade has been installed, the weight of the fabric, the size of the shade and environmental factors can all affect the extent to which a shade will settle. Since this process is somewhat unpredictable, the final drop of the shade may vary by up to +/- 10mm. The shades may take 1 to 2 weeks of hanging to allow the fabric to drop to the required length.
- Weave skewing of fabrics is common during the weaving process. Pattern asymmetry can occur on patterned fabrics, where the pattern on the right side of the shade may not match up with the left.
- Natural fabrics may exhibit variations and visual inconsistencies in color, grain, and texture. They may also fray, crack, split, twist, bow, shrink, stretch, or change color over time due to aging, texture, direct sunlight, or other climatic conditions. These unique characteristics are what make natural fabrics beautiful, giving each piece its own character. They are inherent to natural materials and are not considered defects in material or workmanship. Repairs or remakes will be made only with like or similar parts or products, and exact color matches cannot be guaranteed.

Fabric Information & Additional Options

Pattern Alignment

- Pattern alignment cannot be guaranteed from one shade to the next. All patterns are oriented differently on the fabric roll. The pattern alignment also depends on where the fabric has been cut on the roll.
- Patterned fabric will not be railroaded.
- Patterns on shades and valances may not be perfectly straight. Slight biases may occur.

Complete Fabric Patterns

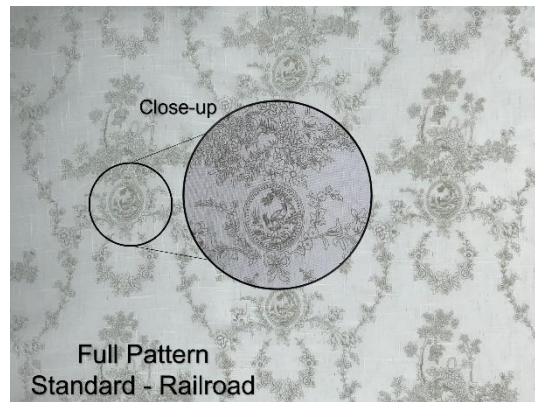
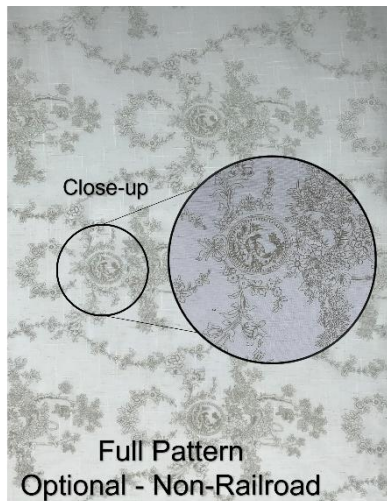
Fabric	Full Fabric Pattern	Fabric	Full Fabric Pattern
<p>AB0637</p> <p>F1080 Snow White F1081 Field Drab F1101 Moss Green</p>		<p>AC0401</p> <p>F1082 Corn White F1083 Sea Green (Cont. on next page)</p>	
<p>AC0402</p> <p>F1085 Dim Ecru</p>			
<p>AB0704</p> <p>F1061 Sag Harbor 0006</p>	 <p>For Sag Harbor, the complete fabric width is 106" and the complete pattern repeat is about 26". The pattern is always kept centered for all shade widths but the patterns will align depending on the width of the shade. See below examples at around 23" & 71" in width.</p>  <p>AB0704 Fabric Width 102"</p> <p>23" Width</p> <p>71" Width</p>		

Fabric Information & Additional Options

AC0401 Sheer Elegance Collection, Fabric Orientation

- For the AC0401 Sheer collection (F1082 Corn White and F1083 Sea Green), the standard orientation has changed. Railroad orientation is **standard** and non-railroad orientation is **optional**. Below is a full pattern and close-up view of the fabric pattern based on the orientation.
- For motorized applications in Flat Fold without Seams: the max height is 96" for standard orientation & 102" for non-railroad orientation.

Fabric	System	Style	Max Height – Non-Railroad: Optional	Max Height – Railroad: Standard
AC0401 F1082 Corn White F1083 Sea Green	Motorized Motorized D&N	Flat Fold without Seams	102"	96"
		Flat Fold with Batten Back	102"	102"
	All other lift systems	Flat Fold without Seams	96"	96"
		Flat Fold with Batten Back	96"	96"



Fabric Information & Additional Options

Patterns (AB0635 & AB0636) and Impressions Collections, Standard Pattern & Reverse Pattern Options

- The following color options are available to be ordered in the reverse fabric pattern (opposite side of swatch).
- Exclusions: Not available for decorative pillow covers.

Collection Name	Color Code	Color Name
Patterns (AB0635 &AB0636)	F1073	Sky Blue
	F1075	Cadet Gray
	F1072	Olive Green
	F1074	Camel
	F1076	Cosmic Latte
	F1078	Ash Gray
	F1079	Dark Cerulean
	F1077	Charcoal
Impressions	F1695	Gris Perle
	F1719	Almond Ash
	F1720	Rose Dust
	F1721	Coastal Sandstone
	F1794	Ice White
	F1795	Warm White

	Color							
Pattern	Sky Blue	Cadet Gray	Olive Green	Camel	Cosmic Latte	Ash Gray	Dark Cerulean	Charcoal
Standard Pattern (Default)								
Reverse Pattern (Optional)								

	Color					
Pattern	Gris Perle	Almond Ash	Rose Dust	Coastal Sandstone	Ice White	Warm White
Standard Pattern (Default)						
Reverse Pattern (Optional)						

Decorative Pillow Covers

The Roman Shade fabric collection is available as decorative pillows covers on to complete in look.

- Select a pillow cover color from the current available Roman fabrics (few fabric exclusions apply).
- Available for in various sizes as Square or Lumbar pillows.
 - Note: Recommended applicable pillow insert size is not the same size as the cover (order) size itself.
- Select a style:
 - Knife Edge
 - Piping

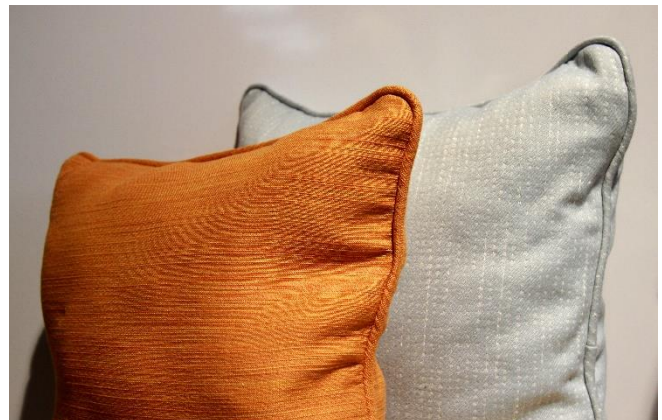
Available Sizes

Square		Lumbar	
Pillow Cover Size	Applicable Pillow Insert	Pillow Cover Size	Applicable Pillow Insert
14"x14"	16"x16"	10"x14"	12"x16"
16"x16"	18"x18"	10"x16"	12"x18"
18"x18"	20"x20"	10"x18"	12"x20"
20"x20"	22"x22"	12"x22"	14"x24"
24"x24"	26"x26"	14"x24"	16"x26"
		14"x18"	16"x20"

Styles



Knife Edge



Piping

Fabric Exclusions

Available in all Roman fabrics except for the following:

- All Sheer Fabrics: Sheer Elegance & Scarlett Collections
- Bali, Blake, Bora Bora, Caroline AB0608, Catalina, Java, Riviera, Sumatra & Phuket Collection
- Patterns (AB0635, AB0636) and Impressions in Reverse Pattern option. The standard pattern option is available for decorative pillow covers in these collections.

Roman Shades

Routine cleaning will help maintain the beauty of your shade.

Proper ways to clean Roman Shades:

- Use a hand held vacuum to remove debris
- Use a duster to remove any light dust
- Spot clean by using a soft cloth or sponge moistened with lukewarm water. Add mild detergent, if needed. Blot gently to avoid creasing or damaging the fabric. Rubbing can damage the fabric.

Proper ironing for Roman Shades:

- Iron low to medium, if necessary
- Do not iron fabrics that are 100% silk, 100% linen/cotton blend, or 100% cotton, or have Translucent Lining
- For specific ironing instructions for each fabric, please refer to the Fabric Collection chart.



Appendix

Discontinued Roman Fabrics:Sheer

- **F0259 Quarry**, Sheer Elegance AA0309
- **F0258 Almond Oil**, Sheer Elegance AA0309
- **F0257 White**, Sheer Elegance AA0308
- **F1084 Dim Gray**, Sheer Elegance AC0402

Semi-Opaque

- **F0242 Bright White**, Blake AA0211
- **F0244 Sparkle**, Blake AA0211
- **F0222 Gold**, Rochelle AB0301
- **F0139 Natural White**, Valencia AA0501
- **F0241 Nature**, Blake AA0211
- **F0248 Wispy Stripe**, Blake AA0216
- **F0240 Pure White**, Blake AA0211
- **F0226 Old Silver**, Rochelle AB0301
- **F0245 Cameo**, Blake AA0213
- **F0225 Silk White**, Rochelle AB0301
- **F0246 Warm Sand**, Blake AA0214
- **F0223 Pearl**, Rochelle AB0301
- **F0227 Copper**, Rochelle AB0301
- **F1056 Oatmeal 0003**, Libeco Belgian Linen AA0902
- **F1059 Oxford Stripe 0010**, Libeco Belgian Linen AB0702
- **F0243 Brown**, Blake AA0211
- **F0224 Vanilla**, Rochelle AB0301
- **F1049 Optic White 0020**, Libeco Belgian Linen AA0901
- **F1053 Shale 8046**, Libeco Belgian Linen AA0901
- **F1052 Silver 8045**, Libeco Belgian Linen AA0901
- **F1054 Oyster 0021**, Libeco Belgian Linen AA0902
- **F1050 Pewter 8027**, Libeco Belgian Linen AA0901
- **F1055 Flax 0024**, Libeco Belgian Linen AA0902

Opaque

- **F0256 Cream**, Taylor AA0110
- **F0213 Butter**, Taylor AA0305
- **F0212 Wheat**, Taylor AA0305
- **F1066 Mint White**, Solids AA0320
- **F0215 Olive**, Taylor AA0305
- **F0218 Slategray**, Taylor AA0305
- **F0179 Graphite**, Ella AB0203
- **F1065 Silver Gray**, Solids AA0320
- **F0176 Oatmeal**, Ella AB0203
- **F0175 Washed White**, Ella AB0203
- **F0181 Spa**, Ella AB0203
- **F0177 Linen**, Ella AB0203
- **F0216 Olivine**, Taylor AA0305
- **F1062 Khaki**, Solids AA0319
- **F0180 Old Gold**, Ella AB0203
- **F0237 Silver Sage**, Seabreeze AA0307
- **F1068 Graphite Gray**, Solids AA0320

Discontinued Roman Day & Night – Roller Fabrics:

Room Darkening

- **F0818 Flint**, Luxe
- **F0850 Ivory**, Cambria
- **F0852 Jet**, Cambria
- **F1108 White**, Glamour
- **F1109 Stone Gray**, Glamour
- **F1110 Broken White**, Glamour
- **F1111 Cloudy Gray**, Glamour
- **F1112 Gray**, Glamour
- **F1113 Anthracite Gray**, Glamour
- **F0841 Persimmon**, Glamour
- **F0842 Limelight**, Glamour
- **F0844 Aquamarine**, Glamour
- **F0845 North Sea**, Glamour
- **F0846 Rose**, Glamour
- **F0848 Violet**, Glamour
- **F0830 Almond**, Maui (RD)
- **F1030 Cream**, Bridget
- **F1041 Latte**, Bridget

Solar Screens(Commercial)

- **F0400 Oyster/Beige**, A100 (3%)
- **F0404 Black/Straw**, A100 (3%)
- **F0388 Chalk/Beige**, A400 (5%)
- **F0389 Chalk/Pewter**, A400 (5%)
- **F0391 Charcoal/Chestnut**, A400 (5%)
- **F0370 Pearl**, A300 (10%)
- **F0355 Pearl**, A300 (1%)
- **F0356 Pearl/Linen**, A300 (1%)
- **F0357 Pearl/Pewter**, A300 (1%)
- **F0359 Charcoal/Gray**, A300 (1%)
- **F0358 Charcoal/Chestnut**, A300 (1%)
- **F0360 Pearl**, A300 (3%)
- **F0361 Pearl/Linen**, A300 (3%)
- **F0362 Pearl/Pewter**, A300 (3%)
- **F0363 Charcoal/Chestnut**, A300 (3%)
- **F0364 Charcoal/Gray**, A300 (3%)
- **F0407 Oyster/Pewter**, A820 (3%)
- **F0365 Pearl**, A300 (5%)
- **F0366 Pearl/Linen**, A300 (5%)
- **F0367 Pearl/Pewter**, A300 (5%)
- **F0368 Charcoal/Chestnut**, A300 (5%)
- **F0369 Charcoal/Gray**, A300 (5%)
- **F0396 Charcoal**, A400 (10%)